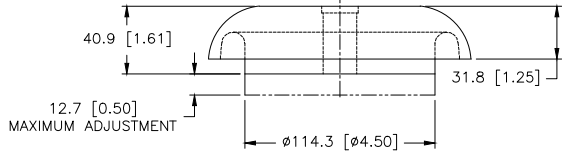
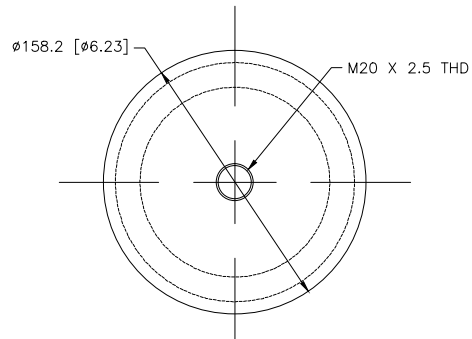
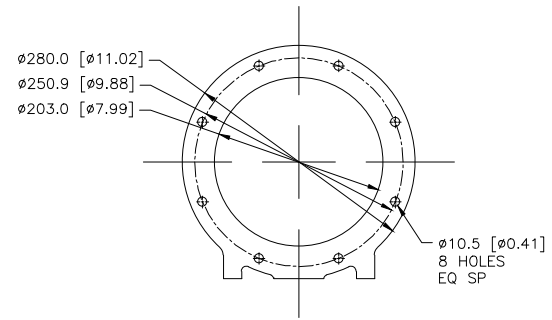


DETAIL OF TERMINAL STRIP CONNECTIONS  
(T0, T1, T2, T3)  
SCALE 1=2



DETAIL OF MOUNTING GP ISOLATOR  
(SHIPPED LOOSE)  
SCALE 1=1



DETAIL OF EXHAUST  
SCALE 1=2

REV	DATE	BY	CHKD	DESCRIPTION
1				
2				
3				
4				
5				
6				
7				
8				
9				
10				
11				
12				
13				
14				
15				
16				
17				
18				
19				
20				

1E2388BIBDENT  
1E2733 DRAWING - AUTOCAD  
1E0180 BRAND MARKINGS  
1E0018 NON-IDENTIFIABLE  
1E0012 A INTERPRETATION  
1E0011 IN PR & TOI  
1 SPRG NO. none  
DESIGNER: L. ZHAO  
CHECKER: M. J. SWIFT  
APPROVER: P. MOUNJOY  
DATE: 12/18/11  
SPEC. RECORDS: X  
UNLESS OTHERWISE SPECIFIED:  
DIMENSIONS ARE IN MM (INCH)  
DIMENSIONS ARE TO UNLESS OTHERWISE SPECIFIED:  
SCALE: 1=10  
CATERPILLAR INC.  
521-8327