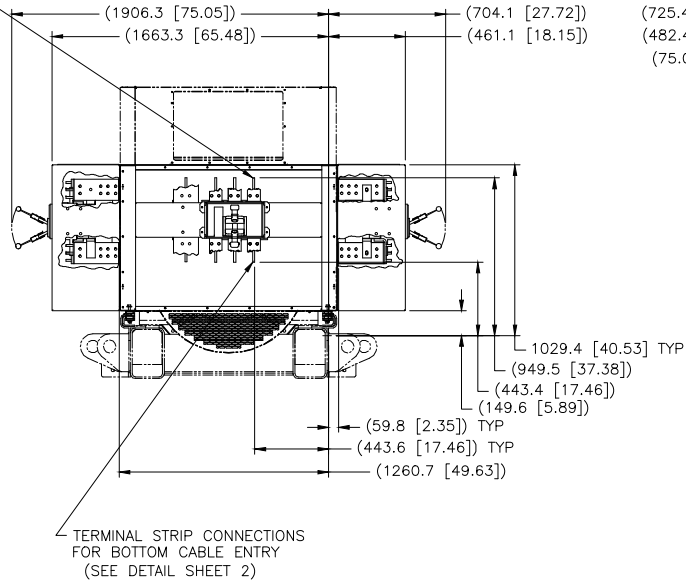
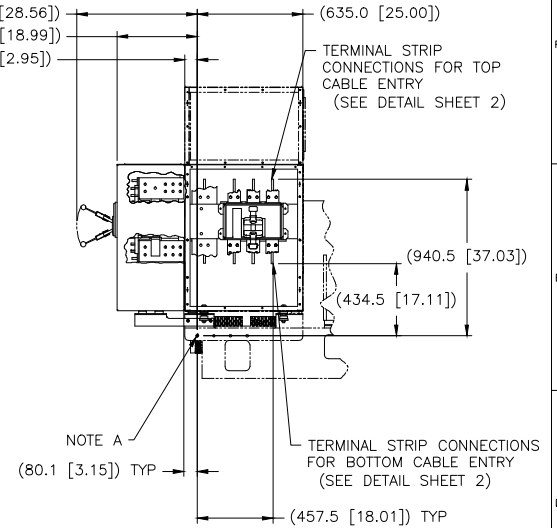


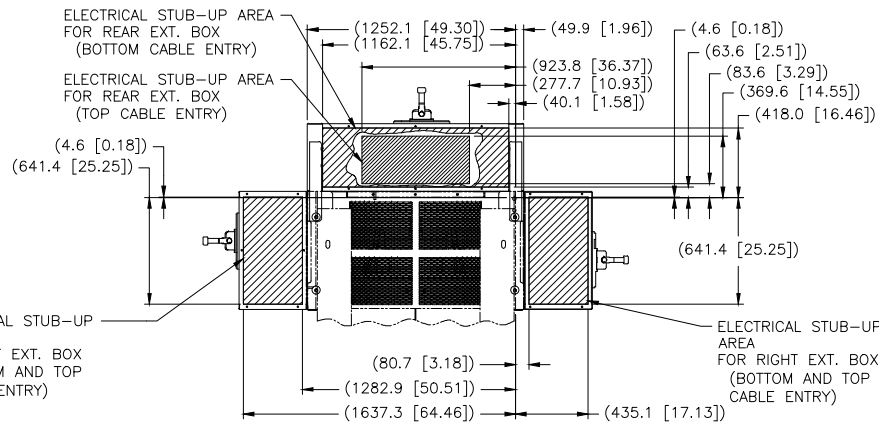
LEFT SIDE VIEW



REAR VIEW



RIGHT SIDE VIEW



BOTTOM VIEW OF REAR

MODEL	AMPS	OPERATED	RATED	POLES
3512	1600	MANUALLY	UL	3
	2000			
	2500			
	3000			

NOTE A: ALL DIMENSIONS REFERENCE THE SLIDER BRACKET (FOR MAIN BOX)

NOTE B: EXTENSION BOX COVERS OMITTED AS REQUIRED FOR CLARITY

112733 DRAWING-AUTOCAD
110138WBAND MARKINGS
1101011 INTR & TOI
SPEC NO.
DESIGNER: B. R. VILLENA
REV: 11/11/11 SWIFT
APPN: MOUNTING
DATE: 11/11/11

SCALE: 1 = 10
DATE: 00 24 OCT 16
SHEET 1 OF 10

CATERPILLAR INC.
INSULATION ATTACHMENT
CIRCUIT BREAKERS FOR ICB

524-1257