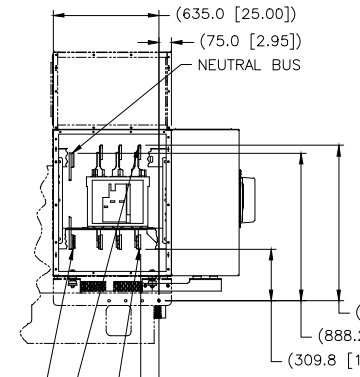
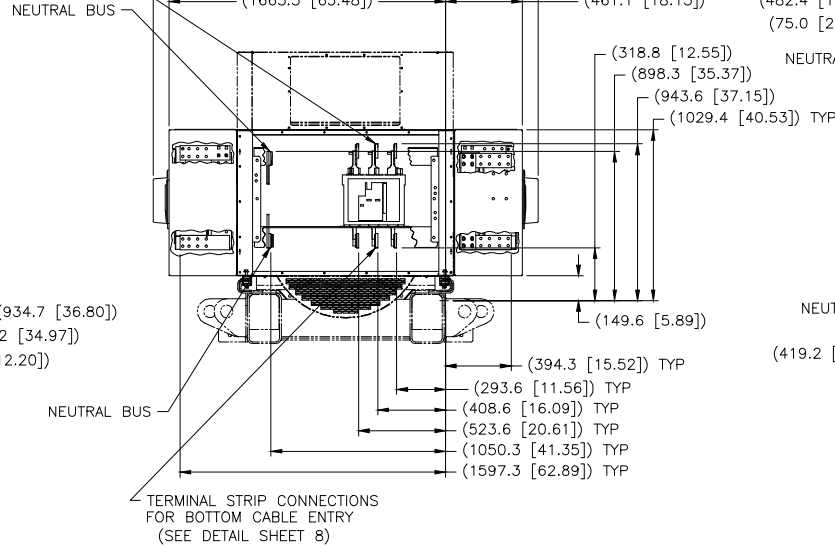


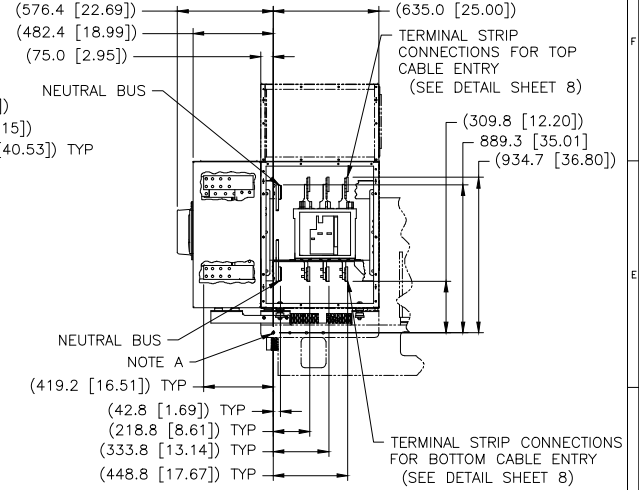
TERMINAL STRIP CONNECTIONS FOR TOP CABLE ENTRY (SEE DETAIL SHEET 8)



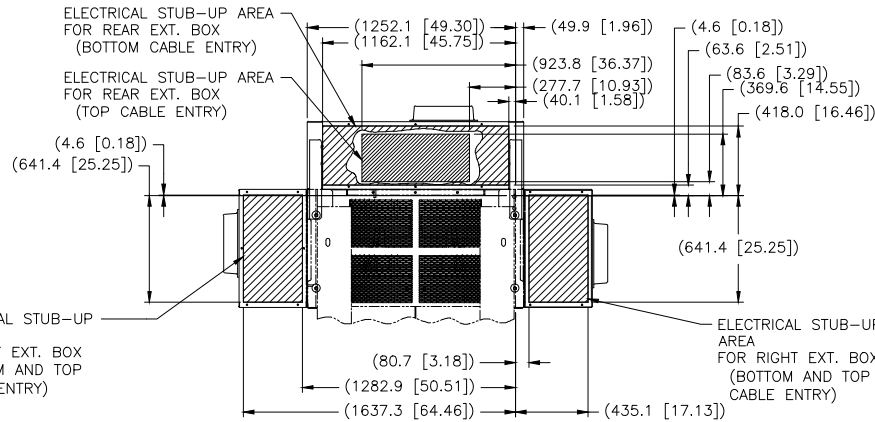
LEFT SIDE VIEW



REAR VIEW



RIGHT SIDE VIEW



BOTTOM VIEW OF REAR

MODEL	AMPS	OPERATED	RATED	POLES
3512	2000	ELECTRONICALLY	UL	3
	2500			
	3000		IEC	
	2000			
	2500			
	3200			

NOTE A: ALL DIMENSIONS REFERENCE THE SLIDER BRACKET (FOR MAIN BOX)

NOTE B: EXTENSION BOX COVERS OMITTED AS REQUIRED FOR CLARITY

1E2733 DRAWING-AUTOCAD
 1E0138WBAND MARKINGS
 1E0011 INVERS & TOL
 1E0011 SWIFT
 1E0011 SWIFT
 1E0011 MOUNTING
 1E0011 SWIFT

SCALE 1:10
 DATE 24 OCT 16
 524-1257

CATERPILLAR INC.
 524-1257