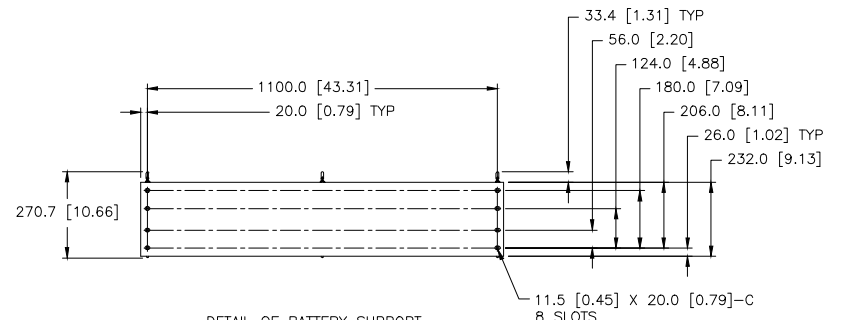
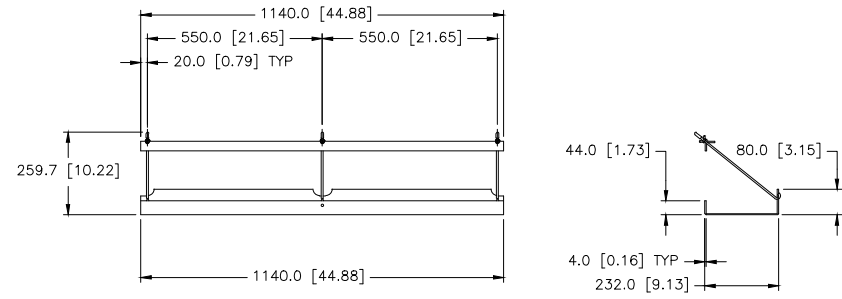
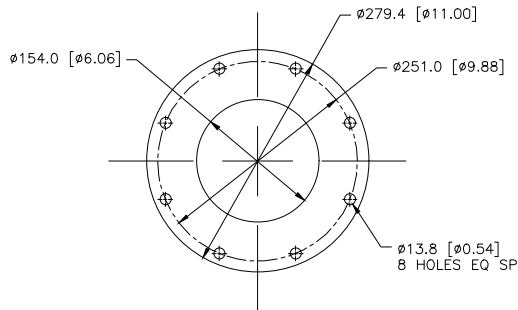


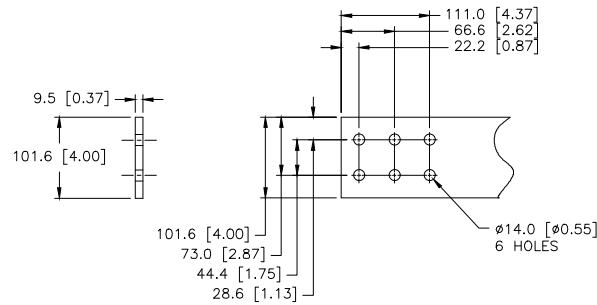
DETAIL OF VIBRATION ISOLATOR
509-9436 CHG 01
(SHIPPED LOOSE)
SCALE 1=2



DETAIL OF BATTERY SUPPORT
342-5296 CHG 01
(SHIPPED LOOSE)
SCALE 1=5



DETAIL OF EXHAUST
SCALE 1=2



DETAIL OF TERMINAL STRIP CONNECTIONS
447-1538 CHG 01
SCALE 1=2

DATE			
BY			
CHKD			
APP'D			
REV			
1	IC2968BIDENT		
2	IC2735 DRAWING AUTO CAD		
3	IC3098WIRING DIAGRAMS		
4	IC0013CONFIDENTIALITY		
5	IC0012INSTALLATION		
6	IC0011INSTR & I/O		
7	IC0010		
8	IC0009		
9	IC0008		
10	IC0007		
11	IC0006		
12	IC0005		
13	IC0004		
14	IC0003		
15	IC0002		
16	IC0001		
17	IC0000		
18	IC0000		
19	IC0000		
20	IC0000		
21	IC0000		
22	IC0000		
23	IC0000		
24	IC0000		
25	IC0000		
26	IC0000		
27	IC0000		
28	IC0000		
29	IC0000		
30	IC0000		
31	IC0000		
32	IC0000		
33	IC0000		
34	IC0000		
35	IC0000		
36	IC0000		
37	IC0000		
38	IC0000		
39	IC0000		
40	IC0000		
41	IC0000		
42	IC0000		
43	IC0000		
44	IC0000		
45	IC0000		
46	IC0000		
47	IC0000		
48	IC0000		
49	IC0000		
50	IC0000		
51	IC0000		
52	IC0000		
53	IC0000		
54	IC0000		
55	IC0000		
56	IC0000		
57	IC0000		
58	IC0000		
59	IC0000		
60	IC0000		
61	IC0000		
62	IC0000		
63	IC0000		
64	IC0000		
65	IC0000		
66	IC0000		
67	IC0000		
68	IC0000		
69	IC0000		
70	IC0000		
71	IC0000		
72	IC0000		
73	IC0000		
74	IC0000		
75	IC0000		
76	IC0000		
77	IC0000		
78	IC0000		
79	IC0000		
80	IC0000		
81	IC0000		
82	IC0000		
83	IC0000		
84	IC0000		
85	IC0000		
86	IC0000		
87	IC0000		
88	IC0000		
89	IC0000		
90	IC0000		
91	IC0000		
92	IC0000		
93	IC0000		
94	IC0000		
95	IC0000		
96	IC0000		
97	IC0000		
98	IC0000		
99	IC0000		
100	IC0000		