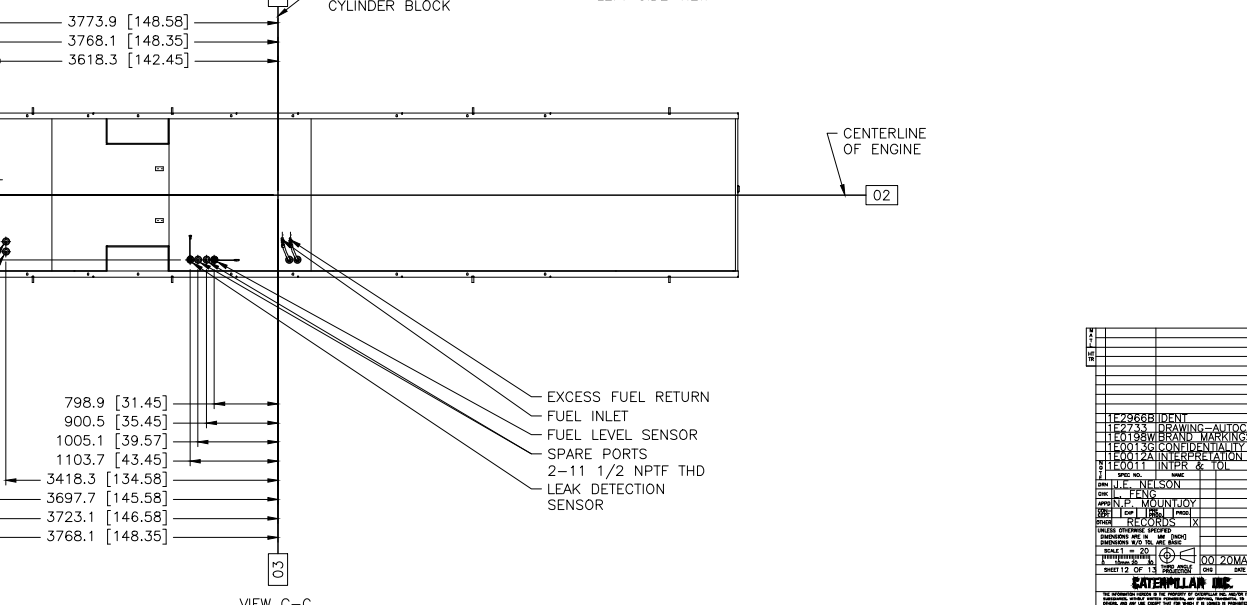
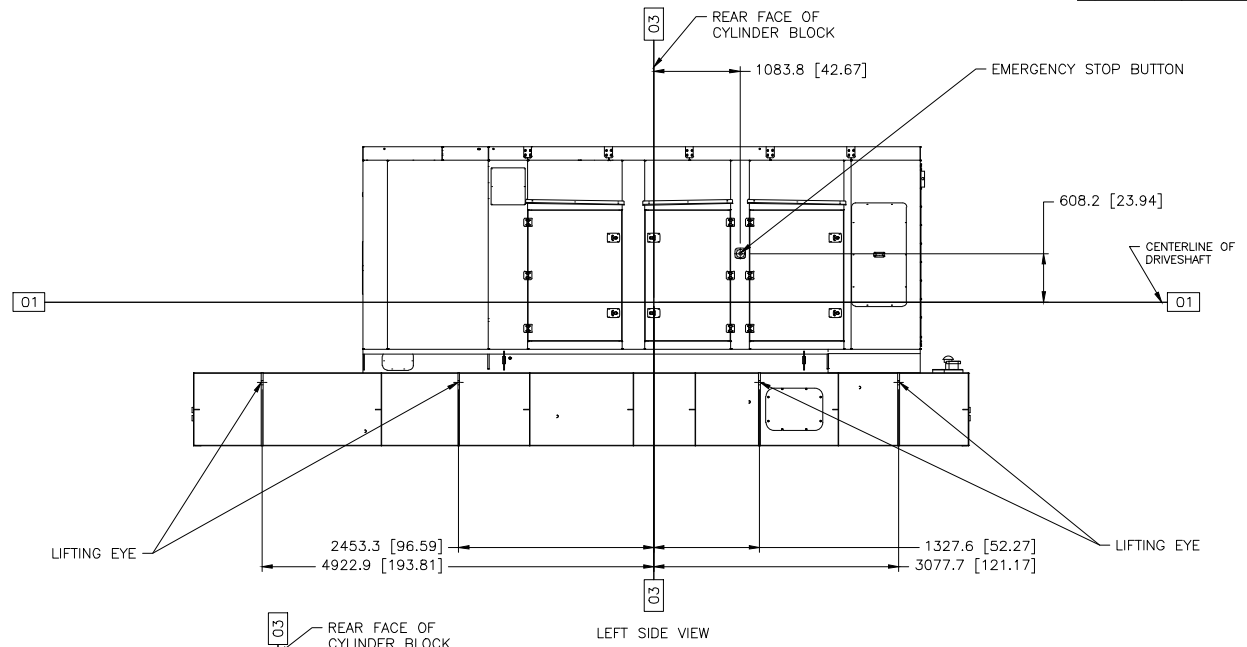


BASIN TANK  
EMERGENCY VENT  
6-8 NPTF  
SPARE PORT  
2-11 1/2 NPTF THD  
MAIN TANK  
EMERGENCY VENT  
6-8 NPTF

804.0 [31.65]  
626.2 [24.65]  
194.4 [7.65]

182.1 [7.17]  
563.1 [22.17]  
588.9 [23.18]  
715.9 [28.18]  
804.8 [31.68]  
817.5 [32.18]

FUEL FILLER NECK  
4" NPTF  
FUEL LEVEL GAUGE  
2" NPTF THD  
NORMAL VENT  
2" NPTF THD  
SPARE PORTS  
2-11 1/2 NPTF THD



LF-3509, LS-1223 AND 518-1269 SHOWN

REV.	DATE	BY	CHKD.	DESCRIPTION
1				
2				
3				
4				
5				
6				
7				
8				
9				
10				
11				
12				

1C2968BIDDEN  
1E2736 DRAWING AUTO CAD  
1E0189 BROWN MARKING  
1E00136 CONFIDENTIALITY  
1E0011 TRAINING OPERATION  
1E0011 INTRP & TA  
DESIGNED BY L. E. NELSON  
CHKD. BY J. P. ENO  
SERIAL NO. 15011  
DATE OF ISSUE 12/1/90  
RECORDS TX  
MILWAUKEE  
CATERPIILLAR INC.  
001 20MAR20  
593-3163  
INSTALLATION ATTACHMENT  
C32 OPT ENCL & FUEL TANK  
593-3163 W982 E