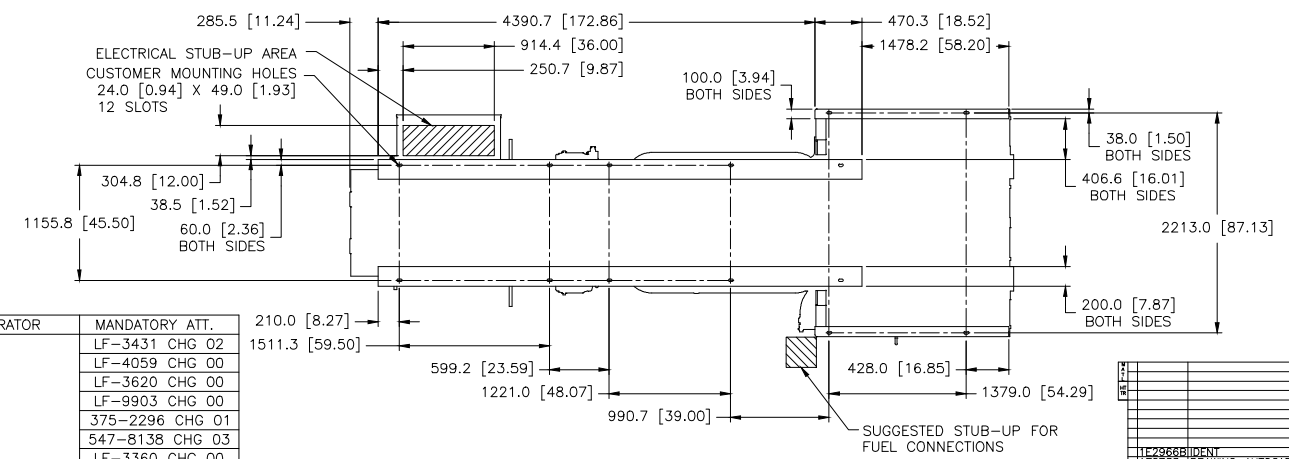
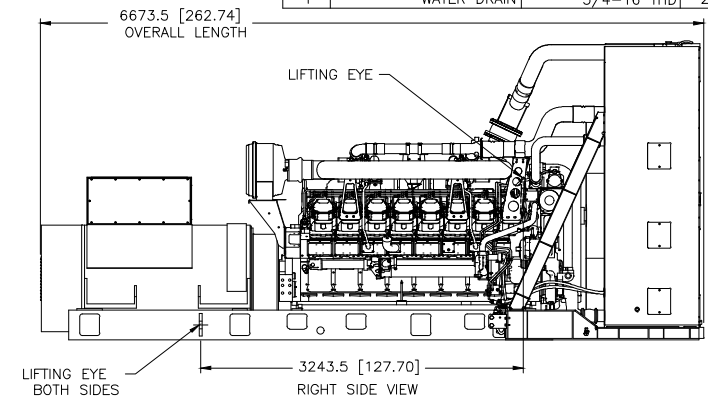
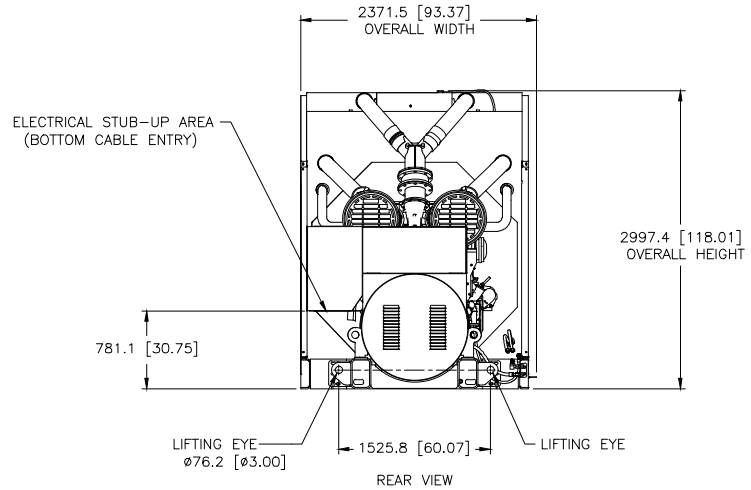


METRIC 593-3168

QTY	CONNECTION	SIZE	SHEETS
1	FUEL INLET	1 3/16-12 THD	2,5
1	EXCESS FUEL RETURN	1 3/16-12 THD	2,5,6
2	EXHAUST	DETAIL	2,4,6,7
2	FUMES DISPOSAL HOSE	ø57.2 [ø2.25] OD	4,5
1	OIL DRAIN	1 3/16-12 THD	2,5
1	COOLANT DRAIN	3/4-16 THD	2,3,4
1	WATER DRAIN	1 1/16-12 THD	2,3
1	WATER DRAIN	3/4-16 THD	2,5



MODEL	TYPE	PRICING AR	GENERATOR
3516	-	LF-4453 CHG 00	LF-2721 CHG 00
		LF-4451 CHG 00	

- MANDATORY ATT.
- LF-3431 CHG 02
 - LF-4059 CHG 00
 - LF-3620 CHG 00
 - LF-9903 CHG 00
 - 375-2296 CHG 01
 - 547-8138 CHG 03
 - LF-3360 CHG 00
 - LA-9132 CHG 01
 - 325-6245 CHG 00
 - LF-1865 CHG 00
 - LF-1923 CHG 00
 - 283-2549 CHG 00
 - 469-1687 CHG 01
 - 367-5169 CHG 00
 - LF-1136 CHG 01
 - LF-1144 CHG 00
 - LF-2688 CHG 00
 - LF-4309 CHG 00

FOOTPRINT
(DIMENSIONED OUTLINE VIEW FROM ABOVE)
(RIGHT SIDE ORIENTATION)

PACKAGE LIFTED IN 3 PLACES WITH RADIATOR INSTALLED
PACKAGE SHOWN WITH MORE DETAIL ON FOLLOWING SHEETS

1C2968BIDENT
1E2735 DRAWING AUTO CAD
1E0188 SWIRL MARKING
1E00136 CONFIDENTIALITY
1E00137 TRAINING OPERATION
1E00138 INTR & IV
1E00139
1E00140
1E00141
1E00142
1E00143
1E00144
1E00145
1E00146
1E00147
1E00148
1E00149
1E00150
1E00151
1E00152
1E00153
1E00154
1E00155
1E00156
1E00157
1E00158
1E00159
1E00160
1E00161
1E00162
1E00163
1E00164
1E00165
1E00166
1E00167
1E00168
1E00169
1E00170
1E00171
1E00172
1E00173
1E00174
1E00175
1E00176
1E00177
1E00178
1E00179
1E00180
1E00181
1E00182
1E00183
1E00184
1E00185
1E00186
1E00187
1E00188
1E00189
1E00190
1E00191
1E00192
1E00193
1E00194
1E00195
1E00196
1E00197
1E00198
1E00199
1E00200

DATE: 01/18/20
SHEET 1 OF 21

PAVEPLAN INC.
INSTALLATION ENGINEER
593-3168