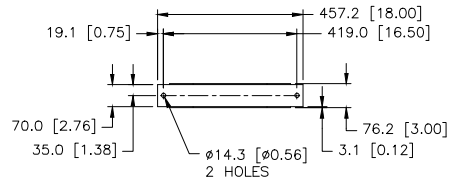
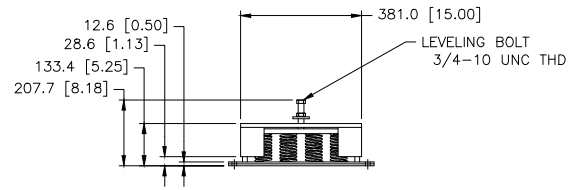
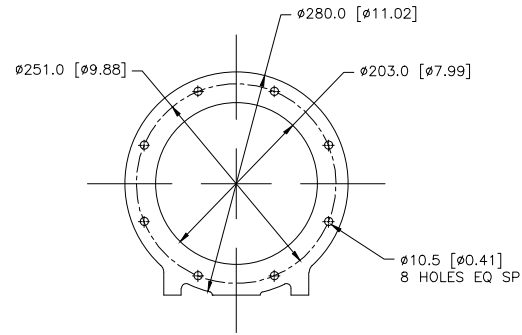


DETAIL OF TERMINAL STRIP CONNECTIONS  
166-5183 CHG 01  
(T0, T3, T2, T1)  
SCALE 1=2



DETAIL OF VIBRATION ISOLATORS  
547-8138 CHG 03  
(SHIPPED LOOSE)  
SCALE 1=5



DETAIL OF EXHAUST  
SCALE 1=2

1			
2			
3			
4			
5			
6			
7			
8			
<p>11296881001 112735 DRAWING AUTO CAD 110189 SWIRLAND WORKINGS 1100138 CONFIDENTIALITY 110124138 OPERATIONAL 11120011 INTR &amp; IV</p> <p>DATE: 11/18/20 DRAWN BY: J. SWIFT CHECKED BY: M. JOY RECORDS: IX REVISIONS: 01 DATE: 01/18/20</p> <p><b>BAITOPULLAN INC.</b> INSTALLATION ENGINEER 593-3168</p>			