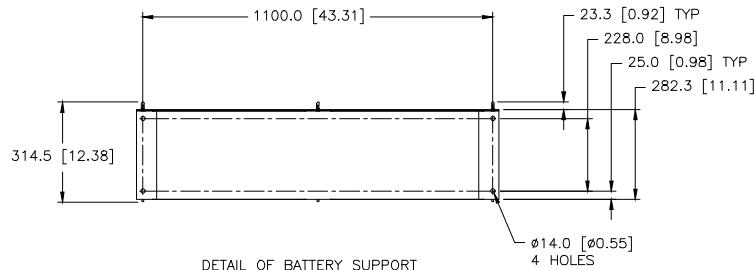
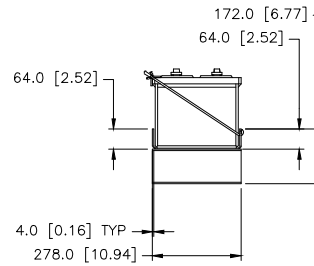
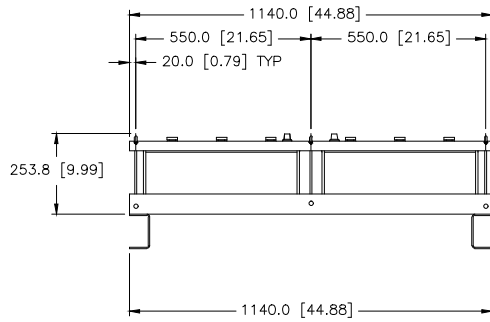
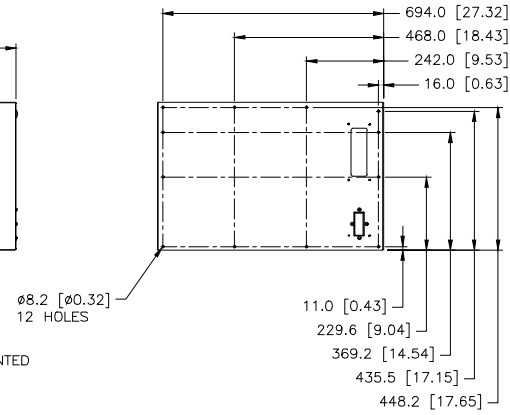


DETAIL OF REMOTE MOUNTED
LF-2867 CHG 00
CONTROL BOX
SCALE 1=5



DETAIL OF BATTERY SUPPORT
367-5169 CHG 00
(SHIPPED LOOSE)
SCALE 1=5

1									
2									
3									
4									
5									
6									
7									
8									
1C2968BIDDEN 1E2735 DRAWING - AUTOCAD 1E0198WIRING DIAGRAMS 1E0013GCONFIDENTIALITY 1E0124IINSPECTION 1E0011INTER & IV SPEC. NO. _____ DATE _____ DESIGNED BY: FENG CHECKED BY: J. SWIFT APPROVED BY: JOHN LOY DATE: 10/18/2020 SCALE: RECORDS: IX PROJECT NO.: 593-3168 SHEET NO. OF 20 DATE: 01/18/2020 SHEET # OF 21 593-3168 RATHELLIAN INC. INSTALLATION ENGINEERING 3516 60HZ HV 1825/2000KW 593-3168 W982 E									