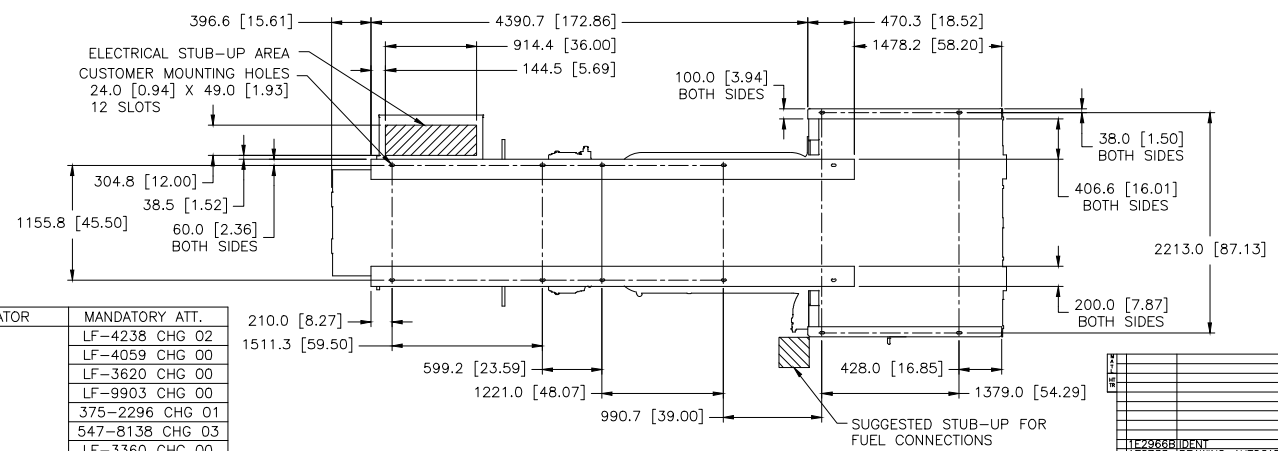
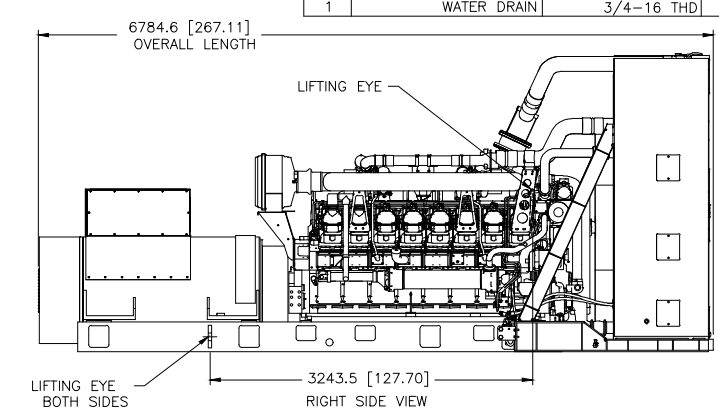
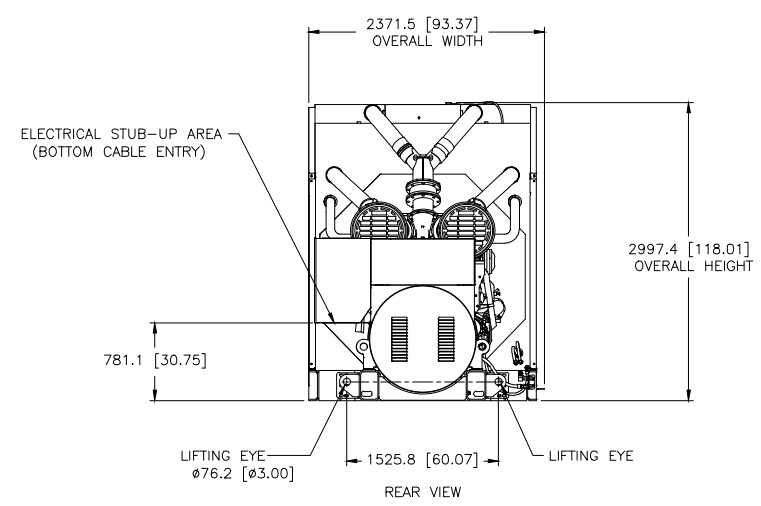


QTY	CONNECTION	SIZE	SHEETS
1	FUEL INLET	1 3/16-12 THD	2,5
1	EXCESS FUEL RETURN	1 3/16-12 THD	2,5,6
2	EXHAUST	DETAIL	2,4,6,7
2	FUMES DISPOSAL HOSE	ø57.2 [ø2.25] OD	4,5
1	OIL DRAIN	1 3/16-12 THD	2,5
1	COOLANT DRAIN	3/4-16 THD	2,3,4
1	WATER DRAIN	1 1/16-12 THD	2,3
1	WATER DRAIN	3/4-16 THD	2,5



MODEL	TYPE	PRICING AR	GENERATOR	MANDATORY ATT.
3516	-	LF-4465 CHG 00	LF-3164 CHG 00	LF-4238 CHG 02
				LF-4059 CHG 00
				LF-3620 CHG 00
				LF-9903 CHG 00
				375-2296 CHG 01
				547-8138 CHG 03
				LF-3360 CHG 00
				LA-9133 CHG 01
				325-6245 CHG 00
				LF-1865 CHG 00
				LF-1923 CHG 00
				282-0929 CHG 03
				469-1687 CHG 01
				367-5169 CHG 00
				LF-1136 CHG 01
LF-1144 CHG 00				
LF-2688 CHG 00				
LF-4310 CHG 00				
		LF-4463 CHG 00		

PACKAGE LIFTED IN 3 PLACES WITH RADIATOR INSTALLED  
PACKAGE SHOWN WITH MORE DETAIL ON FOLLOWING SHEETS

1C2968BIDENTY  
1E2735 DRAWING AUTO CAD  
1F0198WARRANT WORKING  
1H0013CONFIDENTIALITY  
1I0012INSTALL ORIENTATION  
1J1E0011INSTR & I/O  
1K0000 spec note  
1L0000 spec note  
1M0000 spec note  
1N0000 spec note  
1O0000 spec note  
1P0000 spec note  
1Q0000 spec note  
1R0000 spec note  
1S0000 spec note  
1T0000 spec note  
1U0000 spec note  
1V0000 spec note  
1W0000 spec note  
1X0000 spec note  
1Y0000 spec note  
1Z0000 spec note  
01 22 JUN 20  
SHEET 1 OF 2 593-3169 (2) 01  
**PAISONIAN INC.**  
INSTALLATION ENGINEER  
3516 60HZ HV 2250/7500KW  
593-3169 1/2018 W082 E