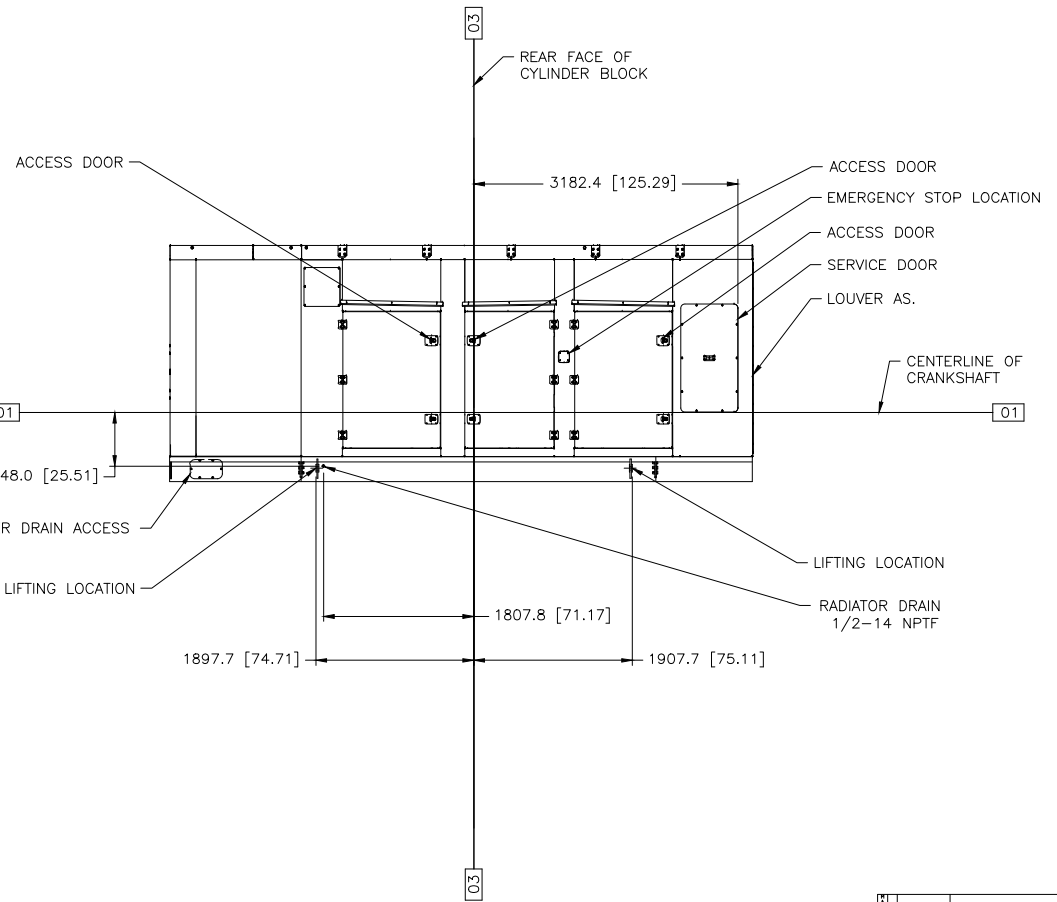


FRONT VIEW



LEFT SIDE VIEW

DATE	
BY	
CHKD	
APP'D	
REV	
1	11/16/16
2	11/16/16
3	11/16/16
4	11/16/16
5	11/16/16
6	11/16/16
7	11/16/16
8	11/16/16
9	11/16/16
10	11/16/16
11	11/16/16
12	11/16/16
13	11/16/16
14	11/16/16
15	11/16/16
16	11/16/16
17	11/16/16
18	11/16/16
19	11/16/16
20	11/16/16
21	11/16/16
22	11/16/16
23	11/16/16
24	11/16/16
25	11/16/16
26	11/16/16
27	11/16/16
28	11/16/16
29	11/16/16
30	11/16/16
31	11/16/16
32	11/16/16
33	11/16/16
34	11/16/16
35	11/16/16
36	11/16/16
37	11/16/16
38	11/16/16
39	11/16/16
40	11/16/16
41	11/16/16
42	11/16/16
43	11/16/16
44	11/16/16
45	11/16/16
46	11/16/16
47	11/16/16
48	11/16/16
49	11/16/16
50	11/16/16

41E2733 DRAWING-AUTOCAD  
 HILTI/THI INTER & TOI  
 11/16/16  
 C.A. THURMAN  
 G.A. THURMAN  
 N.P. MOUNJOY  
 11/16/16

SCALE: 1" = 20"  
 SHEETS: 2 OF 10  
 DATE: 11/16/16

**CATERPILLAR INC.**  
 11/16/16  
 INSTALLATION-ATTACHMENT  
 V12 ENCLOSURE  
 436-1390

LS-1220 V12 ENCLOSURE SHOWN