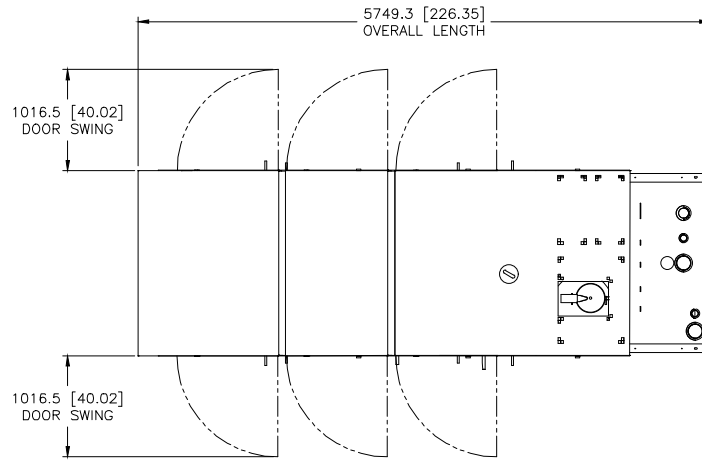
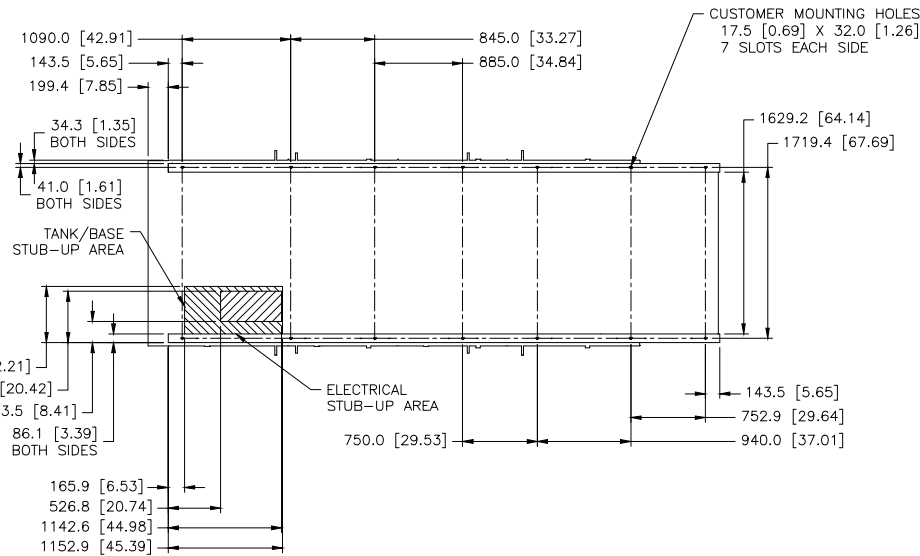


QTY	ENGINE CONNECTIONS	SIZE	SHEET
1	COOLANT DRAIN	ø19.1 [0.75] ID	2
1	EXHAUST	ø254.0 [ø10.00] OD	2
1	OIL DRAIN	ø19.1 [0.75] ID	2

QTY	POSSIBLE TANK CONNECTIONS	SIZE	SHEET
1	BASIN TANK EMERGENCY VENT	5" NPTF THD	2
2	CUSTOMER CONNECTIONS	2" NPTF THD	2
1	FUEL FILLER	4" NPTF THD	2
1	MAIN TANK EMERGENCY VENT	5" NPTF THD	2
1	SPARE	2" NPT	2

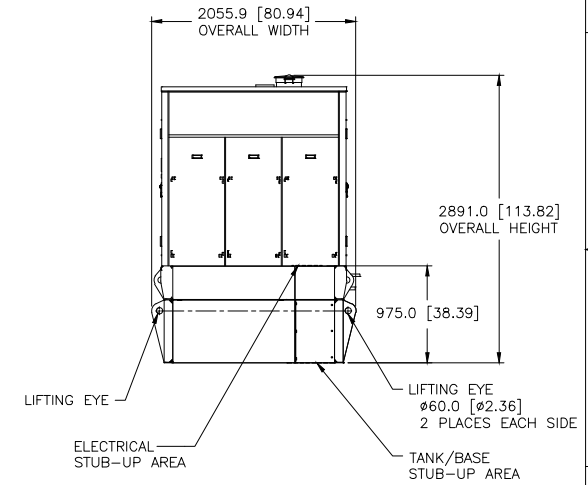


TOP VIEW



FOOTPRINT
(DIMENSIONED OUTLINE VIEW FROM ABOVE)

MODEL	TYPE	PRICING AR	ENCLOSURE	FUEL TANK
C13	Y	LS-1553 CHG 00	LS-1515 CHG 01	LS-1524 CHG 00
		LS-1554 CHG 00	LS-1516 CHG 01	
			LS-1517 CHG 00	
			LS-1518 CHG 00	



REAR VIEW

PACKAGE LIFTED IN 4 PLACES

PACKAGE SHOWN WITH MORE DETAIL ON SHEET 2

1	11/29/2019	IDENTIFY
2	11/27/19	DRAWING - AUTOCAD
3	11/01/19	SWIRL TANK WORKING
4	11/01/19	IDENTIFY
5	11/01/19	INTER & OIL
6		
7		
8		
9		
10		
11		
12		
13		
14		
15		
16		
17		
18		
19		
20		
21		
22		
23		
24		
25		
26		
27		
28		
29		
30		
31		
32		
33		
34		
35		
36		
37		
38		
39		
40		
41		
42		
43		
44		
45		
46		
47		
48		
49		
50		
51		
52		
53		
54		
55		
56		
57		
58		
59		
60		
61		
62		
63		
64		
65		
66		
67		
68		
69		
70		
71		
72		
73		
74		
75		
76		
77		
78		
79		
80		
81		
82		
83		
84		
85		
86		
87		
88		
89		
90		
91		
92		
93		
94		
95		
96		
97		
98		
99		
100		

11/29/2019 IDENTIFY
11/27/19 DRAWING - AUTOCAD
11/01/19 SWIRL TANK WORKING
11/01/19 IDENTIFY
11/01/19 INTER & OIL

PROJECT: 1518
DRAWING NO: 540-3128
SHEET 1 OF 3

CATERPILLAR INC.
INSTALLATION COMPOSITE
C13 SA 12 ENCL 1000G TANK
540-3128