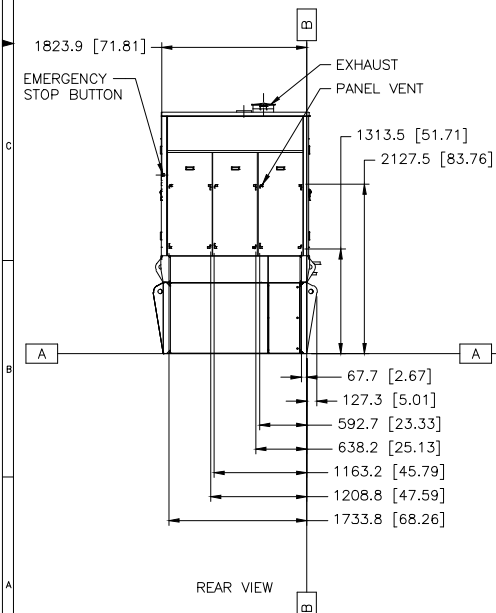
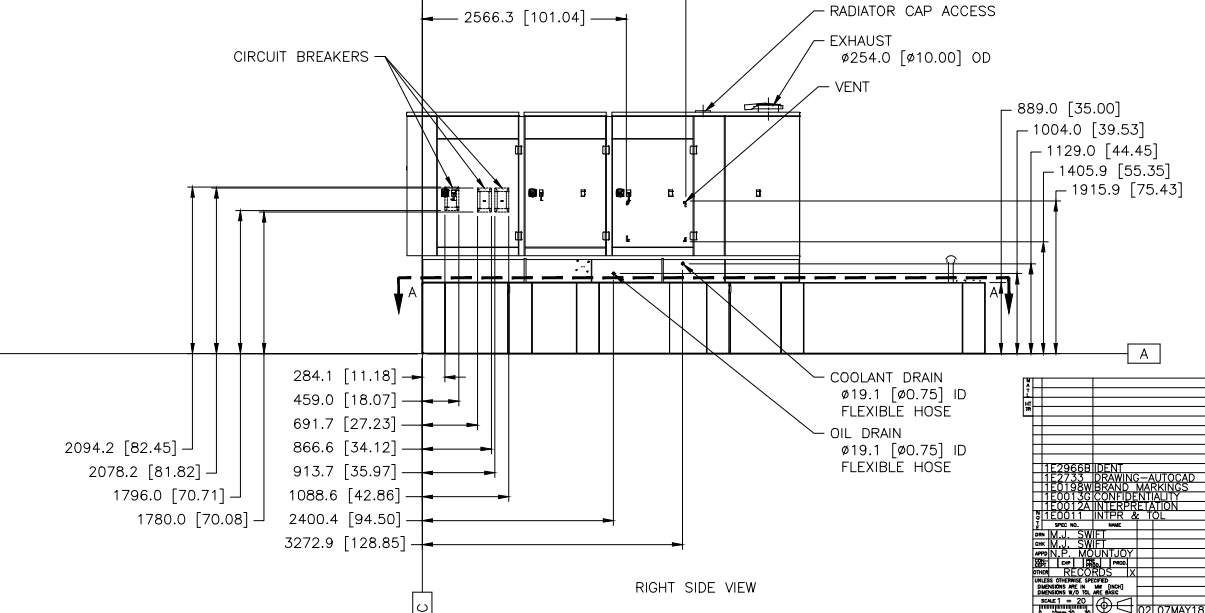


VIEW A-A



REAR VIEW



RIGHT SIDE VIEW

1	1129858	IDENTIFY
2	1127348	DRAWING - AUTOCAD
3	1101838	WORKING
4	1100130	IDENTIFIABILITY
5	1100131	INTERPRETATION
6	1100017	INTER & OIL
7		
8		
9		
10		
11		
12		
13		
14		
15		
16		
17		
18		
19		
20		
21		
22		
23		
24		
25		
26		
27		
28		
29		
30		
31		
32		
33		
34		
35		
36		
37		
38		
39		
40		
41		
42		
43		
44		
45		
46		
47		
48		
49		
50		
51		
52		
53		
54		
55		
56		
57		
58		
59		
60		
61		
62		
63		
64		
65		
66		
67		
68		
69		
70		
71		
72		
73		
74		
75		
76		
77		
78		
79		
80		
81		
82		
83		
84		
85		
86		
87		
88		
89		
90		
91		
92		
93		
94		
95		
96		
97		
98		
99		
100		

DATEPULLER INC.
 02 07 MAY 18
 540-3130 ENCL 22006 TANK
 540-3130