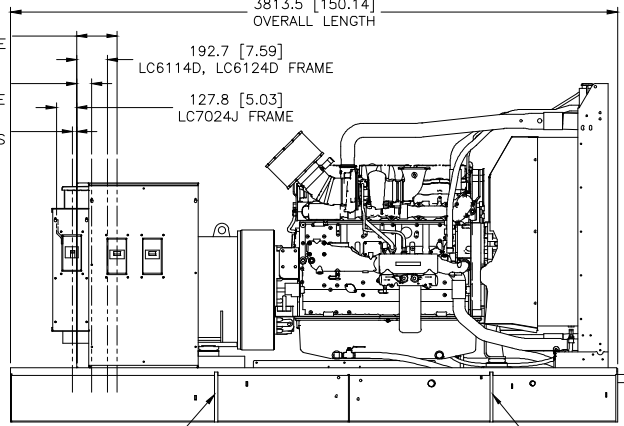


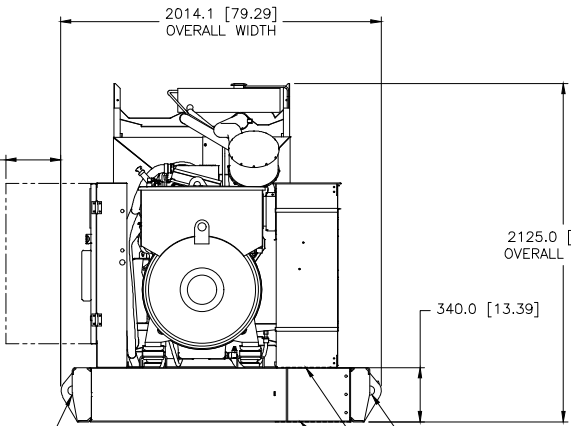
QTY	ENGINE CONNECTIONS	SIZE	SHEET
1	COOLANT DRAIN	ø19.1 [ø0.75] ID	2
1	EXCESS FUEL RETURN	13/16-16 THD	3
1	EXHAUST	SEE DETAIL A	2
1	FUEL INLET	13/16-16 THD	3
1	FUMES DISPOSAL HOSE	ø50.8 [ø2.00] OD	3
1	OIL DRAIN	ø25.4 [ø1.00] ID	2

252.7 [9.95]  
LC6114B, LC6124B FRAME  
92.7 [3.65]  
LC6114F, LC6114G,  
LC6124F, LC6124G FRAME  
27.8 [1.10]  
LC7024H, LC7024F FRAMES



RIGHT SIDE VIEW

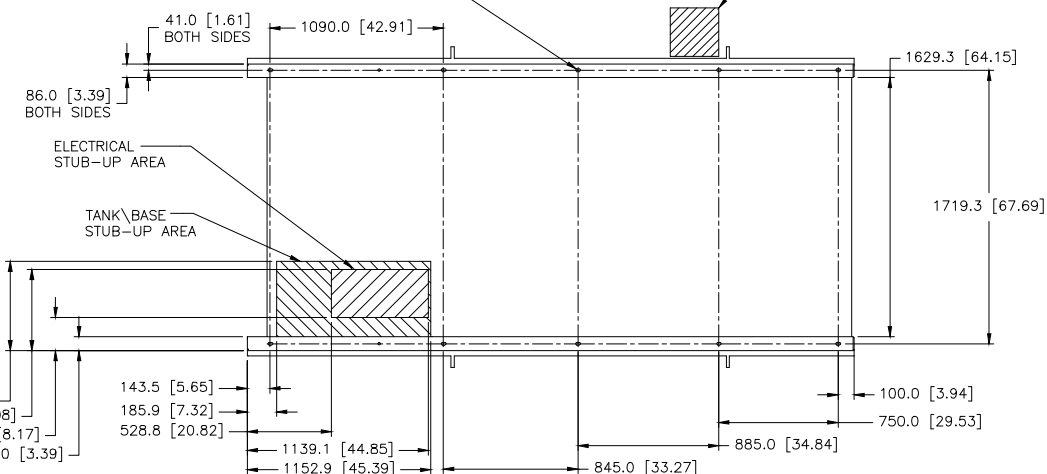
344.0 [13.54]  
DOOR SWING



REAR VIEW

CUSTOMER MOUNTING HOLES  
17.5 [0.69] X 32.0 [1.26]  
5 SLOTS EACH SIDE

SUGGESTED FUEL  
STUB-UP AREA



FOOTPRINT  
(DIMENSIONED OUTLINE VIEW FROM ABOVE)

PACKAGE LIFTED IN 4 PLACES  
PACKAGE SHOWN WITH MORE DETAIL ON SHEET 2

MODEL	TYPE	PRICING AR	BASE
C15	Y	LS-1441 CHG 02	LS-1425 CHG 01
		LS-1443 CHG 02	

**CATERPILLAR INC.**

1129888 IDENT  
1127733 DRAWING-AUTOCAD  
1120368380 WORKING  
11200136 FRONT-DRAWING  
11200136 INTER-ITERATION  
11200136 INTER & TOI  
DATE: 02/02/19  
DWG NO: 11200136  
REV: 02  
DR: M.J. SWIFT  
APP: N.P. MOURIJOY  
DES: E.T. BEN LOUY  
RECORDS: 11200136  
SCALE: AS SHOWN  
SHEET 1 OF 3  
DATE: 02/30/SEP19  
SHEET 1 OF 3  
DATE: 02/30/SEP19

**CATERPILLAR INC.**  
INSTANTON COMPOSITE  
C15 OPEN WIDE BASE  
543-4536  
W973 E