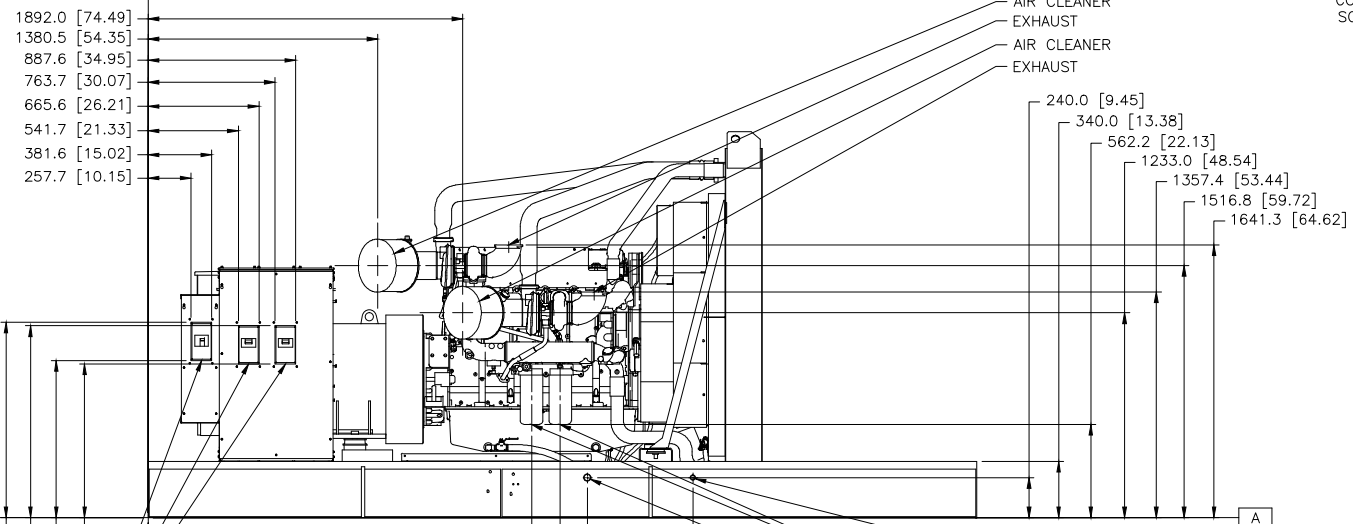


TOP VIEW  
(RIGHT SIDE ORIENTATION)

DETAIL A  
EXHAUST FLANGE  
CONNECTION  
SCALE 1=5



RIGHT SIDE VIEW

1175.6 [46.28]  
1154.9 [45.47]  
945.9 [37.24]  
926.3 [36.47]  
CIRCUIT BREAKERS

2307.2 [90.83]  
2479.2 [97.61]  
2643.5 [104.07]  
3278.9 [129.09]

COOLANT DRAIN  
FLEXIBLE HOSE  
 $\phi 19.1 [\phi 0.75]$  I.D.  
OIL FILTERS  
OIL DRAIN  
FLEXIBLE HOSE  
 $\phi 25.4 [\phi 1.00]$  I.D.

|     |  |  |  |  |  |
|-----|--|--|--|--|--|
| REV |  |  |  |  |  |
| 1   |  |  |  |  |  |
| 2   |  |  |  |  |  |
| 3   |  |  |  |  |  |
| 4   |  |  |  |  |  |
| 5   |  |  |  |  |  |
| 6   |  |  |  |  |  |
| 7   |  |  |  |  |  |
| 8   |  |  |  |  |  |
| 9   |  |  |  |  |  |
| 10  |  |  |  |  |  |
| 11  |  |  |  |  |  |
| 12  |  |  |  |  |  |
| 13  |  |  |  |  |  |
| 14  |  |  |  |  |  |
| 15  |  |  |  |  |  |
| 16  |  |  |  |  |  |
| 17  |  |  |  |  |  |
| 18  |  |  |  |  |  |
| 19  |  |  |  |  |  |
| 20  |  |  |  |  |  |
| 21  |  |  |  |  |  |
| 22  |  |  |  |  |  |
| 23  |  |  |  |  |  |
| 24  |  |  |  |  |  |
| 25  |  |  |  |  |  |
| 26  |  |  |  |  |  |
| 27  |  |  |  |  |  |
| 28  |  |  |  |  |  |
| 29  |  |  |  |  |  |
| 30  |  |  |  |  |  |
| 31  |  |  |  |  |  |
| 32  |  |  |  |  |  |
| 33  |  |  |  |  |  |
| 34  |  |  |  |  |  |
| 35  |  |  |  |  |  |
| 36  |  |  |  |  |  |
| 37  |  |  |  |  |  |
| 38  |  |  |  |  |  |
| 39  |  |  |  |  |  |
| 40  |  |  |  |  |  |
| 41  |  |  |  |  |  |
| 42  |  |  |  |  |  |
| 43  |  |  |  |  |  |
| 44  |  |  |  |  |  |
| 45  |  |  |  |  |  |
| 46  |  |  |  |  |  |
| 47  |  |  |  |  |  |
| 48  |  |  |  |  |  |
| 49  |  |  |  |  |  |
| 50  |  |  |  |  |  |
| 51  |  |  |  |  |  |
| 52  |  |  |  |  |  |
| 53  |  |  |  |  |  |
| 54  |  |  |  |  |  |
| 55  |  |  |  |  |  |
| 56  |  |  |  |  |  |
| 57  |  |  |  |  |  |
| 58  |  |  |  |  |  |
| 59  |  |  |  |  |  |
| 60  |  |  |  |  |  |
| 61  |  |  |  |  |  |
| 62  |  |  |  |  |  |
| 63  |  |  |  |  |  |
| 64  |  |  |  |  |  |
| 65  |  |  |  |  |  |
| 66  |  |  |  |  |  |
| 67  |  |  |  |  |  |
| 68  |  |  |  |  |  |
| 69  |  |  |  |  |  |
| 70  |  |  |  |  |  |
| 71  |  |  |  |  |  |
| 72  |  |  |  |  |  |
| 73  |  |  |  |  |  |
| 74  |  |  |  |  |  |
| 75  |  |  |  |  |  |
| 76  |  |  |  |  |  |
| 77  |  |  |  |  |  |
| 78  |  |  |  |  |  |
| 79  |  |  |  |  |  |
| 80  |  |  |  |  |  |
| 81  |  |  |  |  |  |
| 82  |  |  |  |  |  |
| 83  |  |  |  |  |  |
| 84  |  |  |  |  |  |
| 85  |  |  |  |  |  |
| 86  |  |  |  |  |  |
| 87  |  |  |  |  |  |
| 88  |  |  |  |  |  |
| 89  |  |  |  |  |  |
| 90  |  |  |  |  |  |
| 91  |  |  |  |  |  |
| 92  |  |  |  |  |  |
| 93  |  |  |  |  |  |
| 94  |  |  |  |  |  |
| 95  |  |  |  |  |  |
| 96  |  |  |  |  |  |
| 97  |  |  |  |  |  |
| 98  |  |  |  |  |  |
| 99  |  |  |  |  |  |
| 100 |  |  |  |  |  |

1E2388BIDENT  
1E2733 DRAWING-AUTOCAD  
1E01888 BRAND MARKINGS  
1E00120 CONFIDENTIAL  
1E00120 INTERPRETATION  
1E00120 INTER & TOL  
SPEC NO. DATE  
DESIGNER B. VILLENA  
CHECKER M. J. SWIFT  
APPROVER P. MOUNJOY  
DATE 11/11/11  
RECORDS X  
REVISED BY  
DATE  
SCALE 1=10  
CATALYTIC CONVERTER  
INSULATION-COMPOSITE  
CIRCUIT BREAKERS  
571-3847  
W973