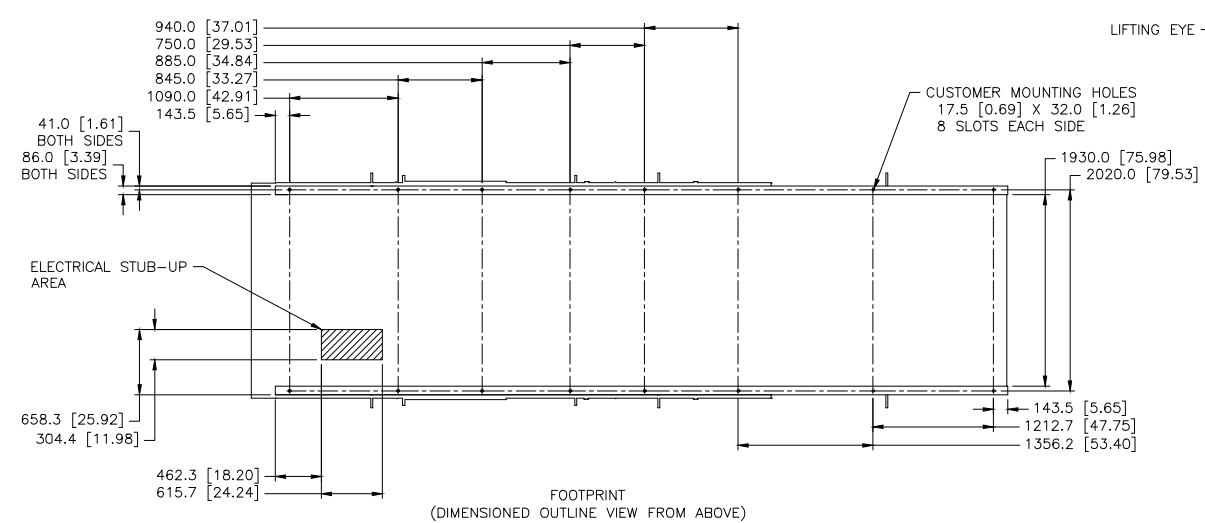
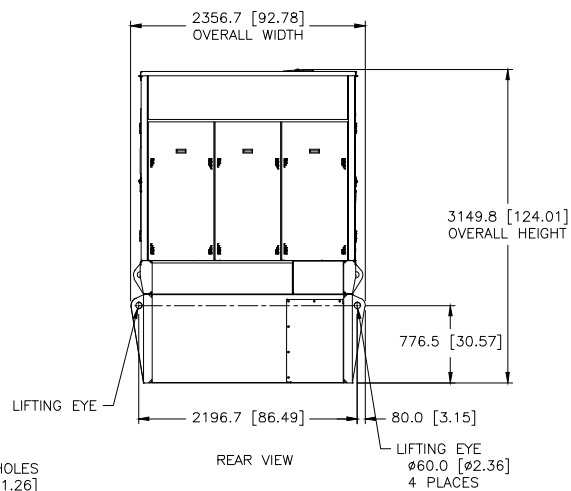
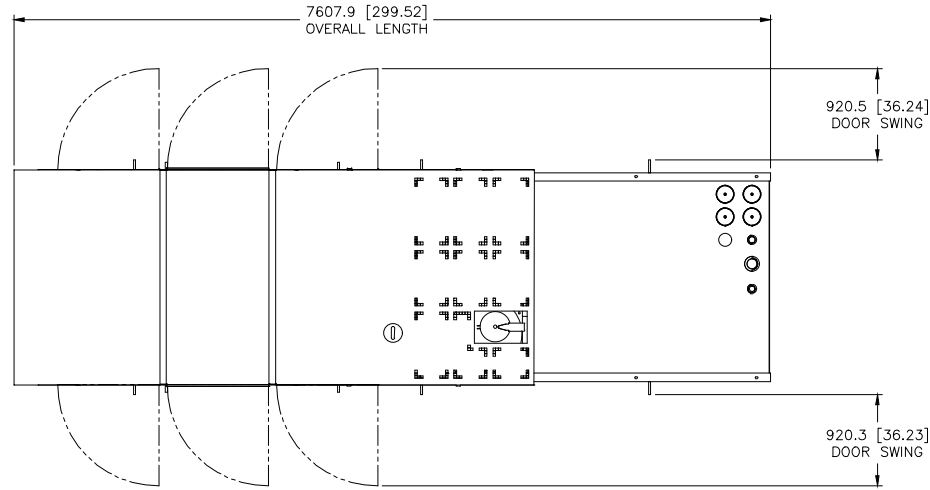


QTY	ENGINE CONNECTIONS	SIZE	SHEETS
1	COOLANT DRAIN	ø19.1 [0.75] ID	2
1	OIL DRAIN	ø25.4 [1.00] ID	2

QTY	POSSIBLE TANK CONNECTIONS	SIZE	SHEETS
1	BASIN TANK EMERGENCY VENT	6" NPT THD	3
2	CUSTOMER CONNECTIONS	2" NPT THD	3
1	FUEL FILLER	4" NPT THD	3
1	MAIN TANK EMERGENCY VENT	6" NPT THD	3
3	SPARE PORT	2" NPT THD	3
1	NORMAL VENT	2" NPT THD	2,3



MODEL	TYPE	PRICING AR	ENCLOSURE	TANK
C18	Y	LS-3489 CHG 00	LS-3732 CHG 01	LS-3508 CHG 00
			LS-3734 CHG 01	

PACKAGE LIFTED IN 4 PLACES  
 PACKAGE SHOWN WITH MORE DETAIL ON SHEETS 2 & 3

REV	DESCRIPTION	DATE

11/29/99 BIDDY  
 11/27/99 DRAWING AUTO CAD  
 11/25/99 BERNI WORKINGS  
 11/01/99 CONFIDENTIALITY  
 11/01/99 STANDARDIZATION  
 11/00/99 INTER & EX  
 DATE: 11/01/99  
 DESIGNED BY: JER VILLENA  
 CDR: M. J. SWIFT  
 DESIGNED BY: MOUNT JOY  
 DATE: 11/01/99  
 RECORDS: TX  
 11/01/99 0101APR19  
**RATHELLIAN INC.**  
 580-9733