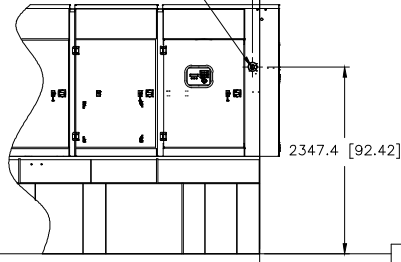
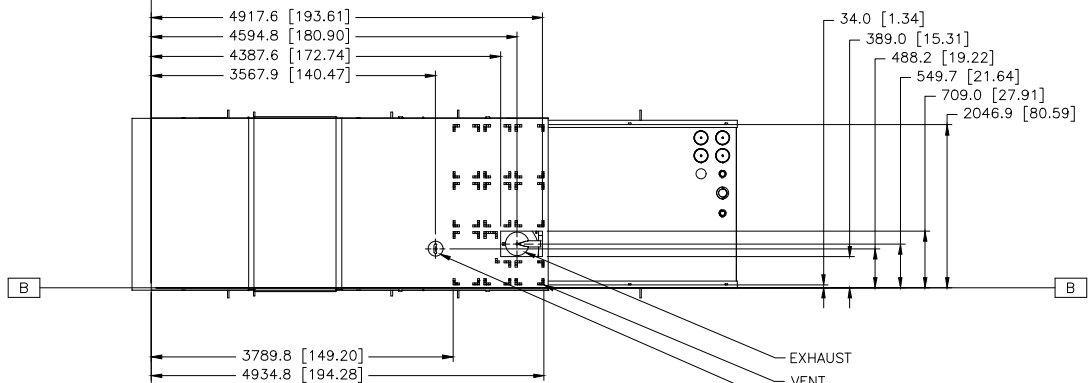


EMERGENCY STOP BUTTON

90.4 [3.56]



VIEW B-B
(PARTIAL LEFT SIDE VIEW)



TOP VIEW

EMERGENCY STOP BUTTON

PANEL VENTS

1291.9 [50.86]
2257.9 [88.89]

2117.6 [83.37]
2028.7 [79.87]
1415.7 [55.74]
1358.2 [53.47]
745.2 [29.34]
688.2 [27.10]
75.2 [2.96]

127.4 [5.01]

REAR VIEW

242.0 [9.53]

1321.3 [52.02]
887.7 [34.95]
763.8 [30.07]
665.7 [26.21]
541.8 [21.33]
381.7 [15.03]
257.8 [10.15]

RIGHT SIDE VIEW

2062.8 [81.21]
2042.2 [80.40]
1360.2 [53.55]
1340.6 [52.78]

2643.5 [104.07]
3278.9 [129.09]

34.0 [1.34]
389.0 [15.31]
488.2 [19.22]
549.7 [21.64]
709.0 [27.91]
2046.9 [80.59]

3789.8 [149.20]
4934.8 [194.28]

EXHAUST
VENT
RADIATOR CAP ACCESS
RADIATOR CAP ACCESS
EXHAUST
ø254.0 [ø10.00] OD
NORMAL VENT
889.0 [35.00]
928.8 [36.57]
1129.0 [44.45]
1231.3 [48.48]
2268.4 [89.31]
2611.4 [102.81]
3142.5 [123.72]
3149.8 [124.01]

COOLANT DRAIN
ø19.1 [ø0.75] ID
FLEXIBLE HOSE

OIL DRAIN
ø25.4 [ø1.00] ID
FLEXIBLE HOSE

1	2	3	4	5	6	7	8
1C2968BIDENT 1E2733 DRAWING AUTO CAD 1E0188 WIRING DIAGRAMS 1E00136 CONFIDENTIALITY 1E00124 IN OPERATION 1E0001 INTER & I/O REV. NO. DESIGNED BY: J.R.VILLENA CHG. M.J. SWIFT CHECKED BY: MOURNJOY DATE: 10/11/99 RECORDS: IX UNLESS OTHERWISE SPECIFIED DIMENSIONS ARE IN MILLIMETERS DIMENSIONS NOT TO SCALE SCALE: 1:1 SHEET NO. 2 OF 3 SHEET TITLE: 00101APR19 DATE: 19990901 CATERPILLAR INC. INSTALLATION COMPOSITE C18PD CW W/ 48HR TANK 580-9733 9973							