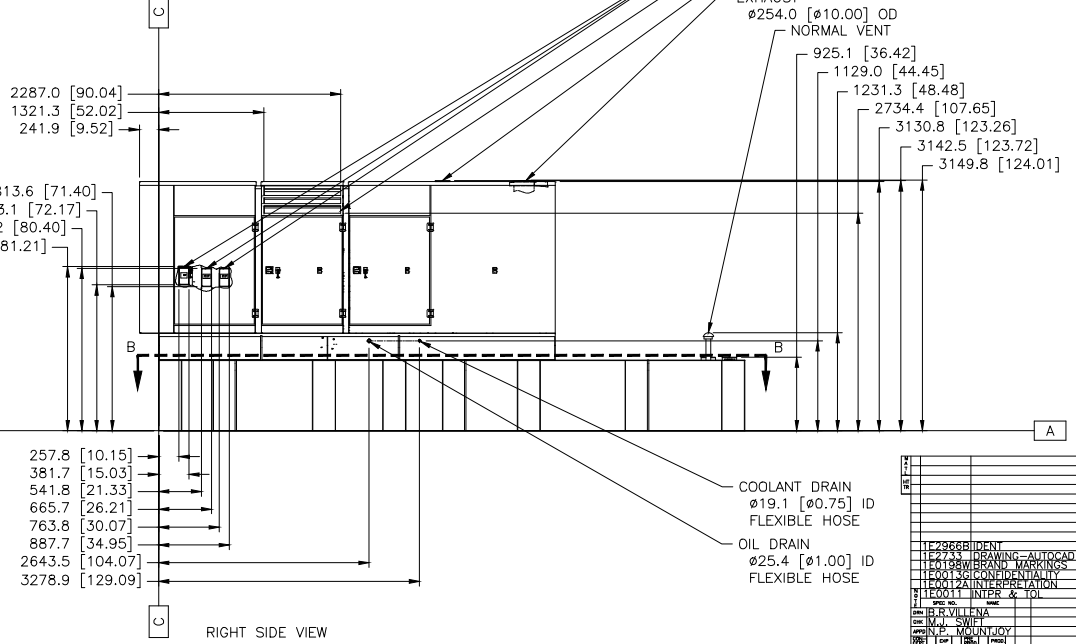
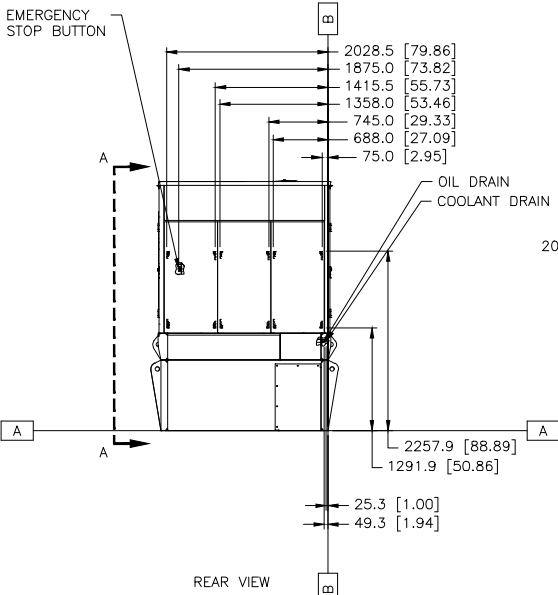
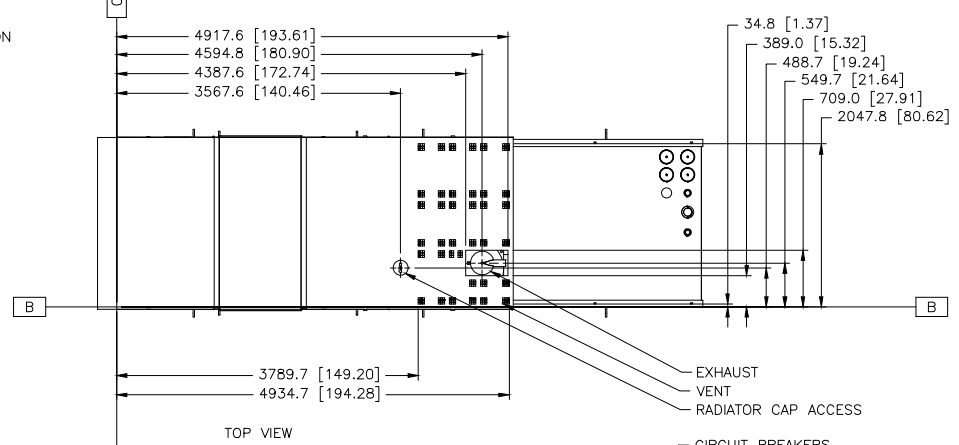
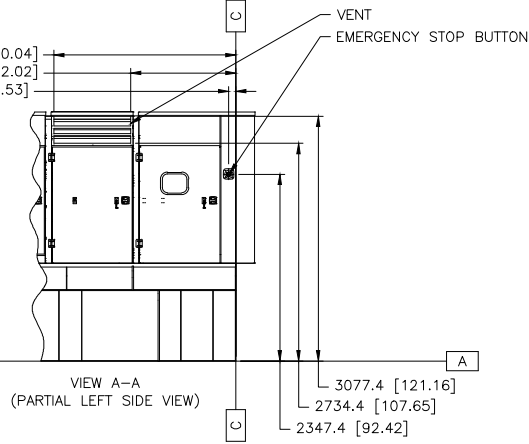


2287.0 [90.04]  
1321.4 [52.02]  
89.7 [3.53]



1	12		
2	11		
3	10		
4	9		
5	8		
6	7		
7	6		
8	5		
9	4		
10	3		
11	2		
12	1		
REV		DATE	BY
1			
2			
3			
4			
5			
6			
7			
8			
9			
10			
11			
12			
1129688IDENT 112733 DRAWING - AUTOCAD 1101999 BROWN DRAWINGS 1100131 CONFIDENTIALITY 1100131 TRAIN OPERATOR 1110011 INTER & EXT DATE: 03/05/19 DESIGNED BY: H.R.VILLENA DESIGNED DATE: 03/05/19 DESIGNED TIME: 10:00 CHECKED BY: M.J. SWIFT CHECKED DATE: 03/05/19 CHECKED TIME: 10:00 APPROVED BY: M.J. SWIFT APPROVED DATE: 03/05/19 APPROVED TIME: 10:00 1100131 INTER & EXT SHEET 2 OF 3 001 27/MAR/19 <b>RAIPOWER INC.</b> 1100131 INTER & EXT INSTALLATION COMPOSITE CIRCPD SA WIDE W/ 48HR TK 581-4892 1100131 1100131			