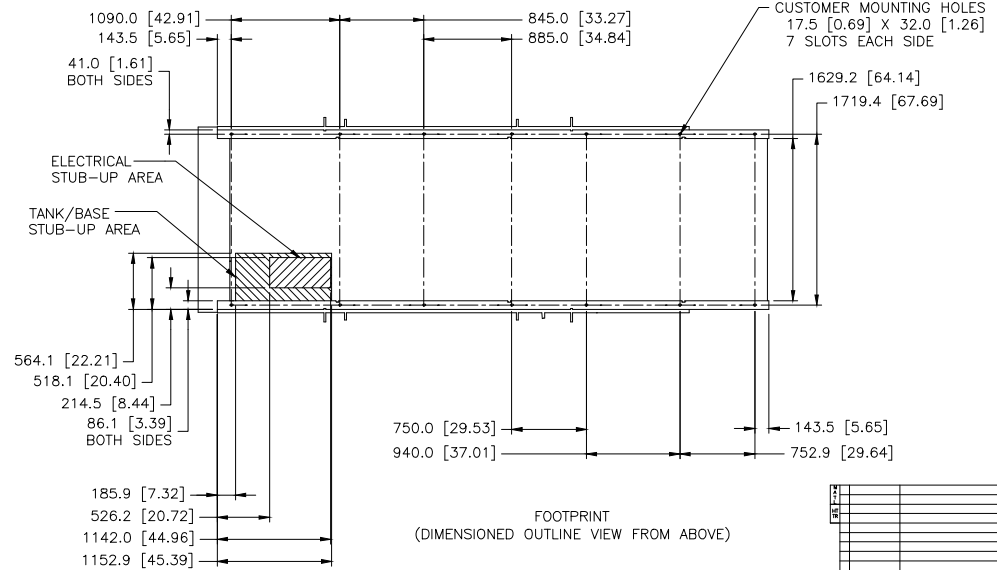
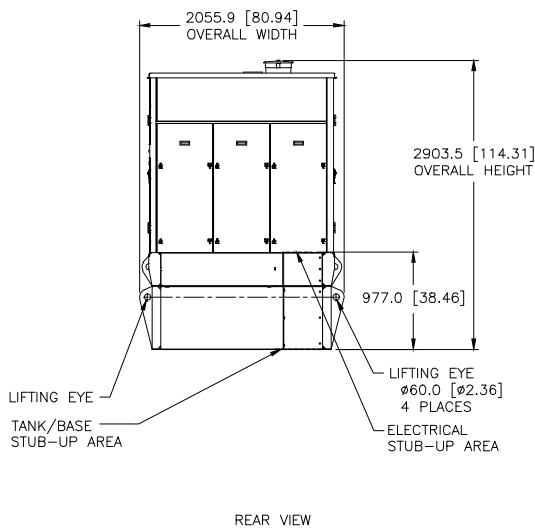
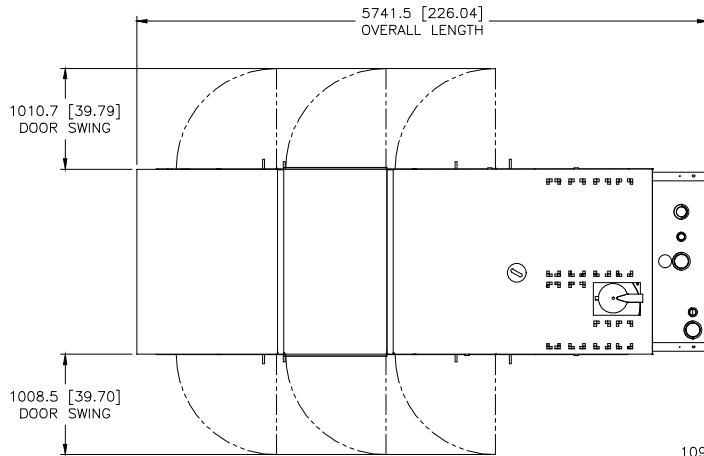


METRIC 588-7453

QTY	ENGINE CONNECTIONS	SIZE	SHEET
1	COOLANT DRAIN	ø19.1 [0.75] ID	2
1	OIL DRAIN	ø25.4 [1.00] ID	2

QTY	POSSIBLE TANK CONNECTIONS	SIZE	SHEET
1	BASIN TANK EMERGENCY VENT	5" NPTF THD	3
2	CUSTOMER CONNECTIONS	2" NPTF THD	3
1	FUEL FILLER	4" NPTF THD	3
1	MAIN TANK EMERGENCY VENT	5" NPTF THD	3
1	PORT	4" NPTF	3
2	PORTS	2" NPTF	3
1	SPARE	2" NPT	3



MODEL	TYPE	PRICING AR	ENCLOSURE	TANK
C15	Y	LS-1441 CHG 02	LS-1581 CHG 00	LS-1433 CHG 03
			LS-1582 CHG 00	
		LS-1443 CHG 02	LS-1583 CHG 00	
			LS-1584 CHG 00	

CATERPILLAR INC.
 112958 BIDENY
 112733 DRAWING AUTO CAD
 110193 WIRING DIAGRAMS
 110013 CONFIDENTIALITY
 110121 IN OPERATION
 11E001 INTER & I/O
 FILE NO. _____
 DATE _____
 ENG. M.J. SWIFT
 SUPV. P. MOUNTROY
 DES. G. J. JENSEN
 REC'D _____
 FILE NO. _____
 PROJECT: C15
 SHEET 1 OF 11
 DATE 25SEP19
 588-7453