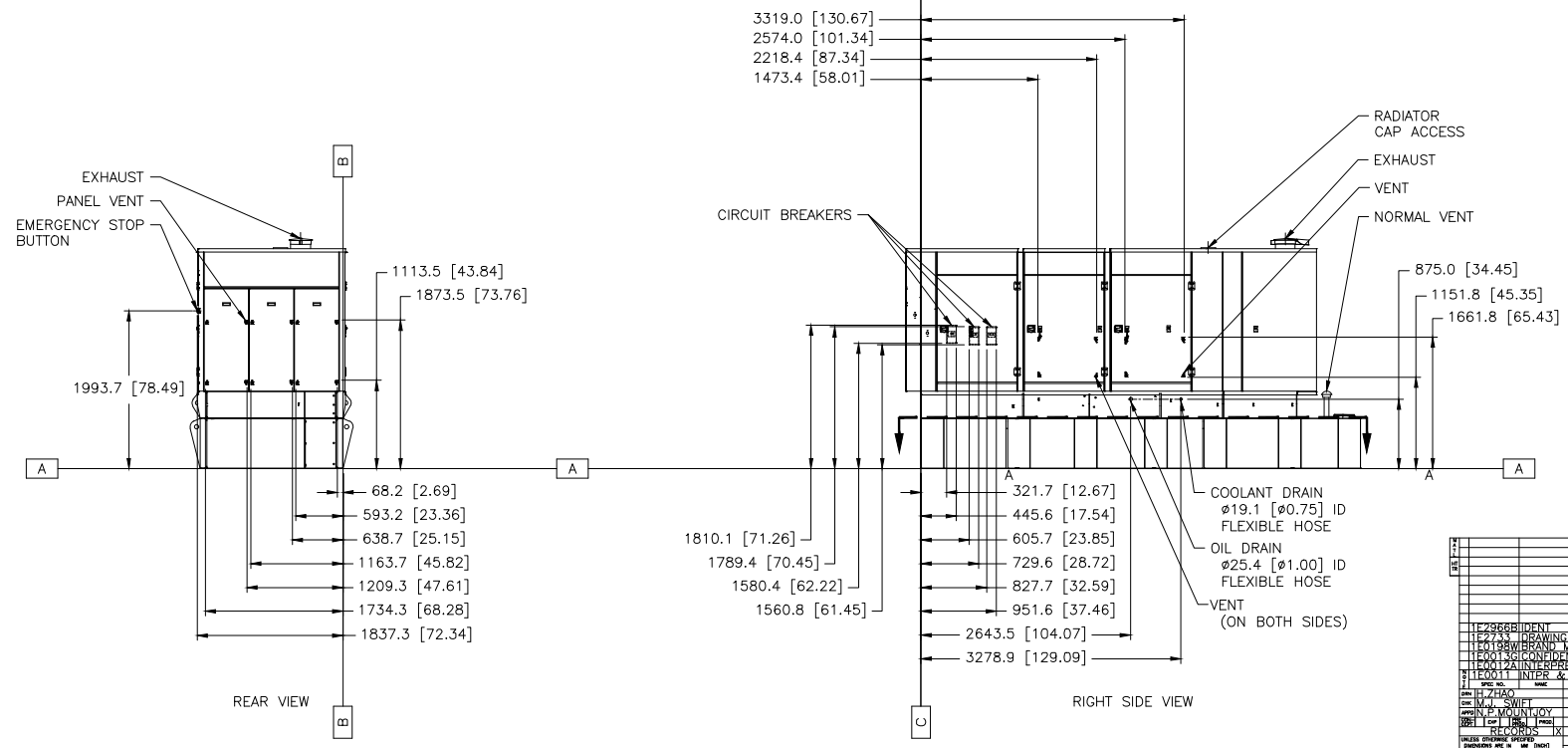
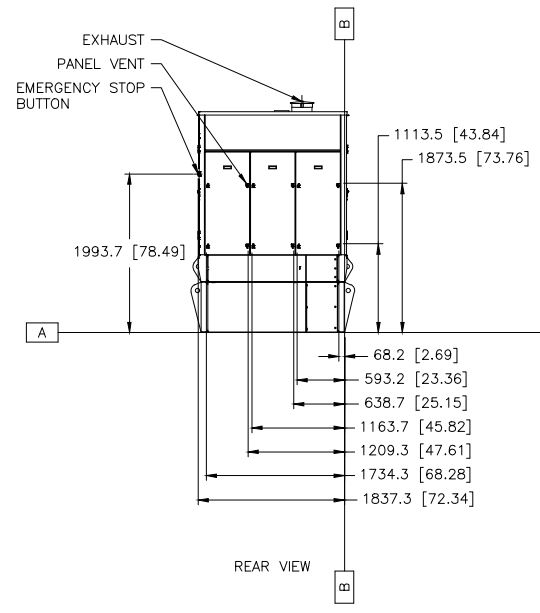


TOP VIEW



RIGHT SIDE VIEW



REAR VIEW

COOLANT DRAIN
 ø19.1 [ø0.75] ID
 FLEXIBLE HOSE
 OIL DRAIN
 ø25.4 [ø1.00] ID
 FLEXIBLE HOSE
 VENT
 (ON BOTH SIDES)

DATE			
TIME			
REV			
1	11/28/19	00	25SEP19
2	12/10/19	01	00
3	12/10/19	02	00
4	12/10/19	03	00
5	12/10/19	04	00
6	12/10/19	05	00
7	12/10/19	06	00
8	12/10/19	07	00
9	12/10/19	08	00
10	12/10/19	09	00
11	12/10/19	10	00
12	12/10/19	11	00
13	12/10/19	12	00
14	12/10/19	13	00
15	12/10/19	14	00
16	12/10/19	15	00
17	12/10/19	16	00
18	12/10/19	17	00
19	12/10/19	18	00
20	12/10/19	19	00
21	12/10/19	20	00
22	12/10/19	21	00
23	12/10/19	22	00
24	12/10/19	23	00
25	12/10/19	24	00
26	12/10/19	25	00
27	12/10/19	26	00
28	12/10/19	27	00
29	12/10/19	28	00
30	12/10/19	29	00
31	12/10/19	30	00
32	12/10/19	31	00
33	12/10/19	32	00
34	12/10/19	33	00
35	12/10/19	34	00
36	12/10/19	35	00
37	12/10/19	36	00
38	12/10/19	37	00
39	12/10/19	38	00
40	12/10/19	39	00
41	12/10/19	40	00
42	12/10/19	41	00
43	12/10/19	42	00
44	12/10/19	43	00
45	12/10/19	44	00
46	12/10/19	45	00
47	12/10/19	46	00
48	12/10/19	47	00
49	12/10/19	48	00
50	12/10/19	49	00
51	12/10/19	50	00
52	12/10/19	51	00
53	12/10/19	52	00
54	12/10/19	53	00
55	12/10/19	54	00
56	12/10/19	55	00
57	12/10/19	56	00
58	12/10/19	57	00
59	12/10/19	58	00
60	12/10/19	59	00
61	12/10/19	60	00
62	12/10/19	61	00
63	12/10/19	62	00
64	12/10/19	63	00
65	12/10/19	64	00
66	12/10/19	65	00
67	12/10/19	66	00
68	12/10/19	67	00
69	12/10/19	68	00
70	12/10/19	69	00
71	12/10/19	70	00
72	12/10/19	71	00
73	12/10/19	72	00
74	12/10/19	73	00
75	12/10/19	74	00
76	12/10/19	75	00
77	12/10/19	76	00
78	12/10/19	77	00
79	12/10/19	78	00
80	12/10/19	79	00
81	12/10/19	80	00
82	12/10/19	81	00
83	12/10/19	82	00
84	12/10/19	83	00
85	12/10/19	84	00
86	12/10/19	85	00
87	12/10/19	86	00
88	12/10/19	87	00
89	12/10/19	88	00
90	12/10/19	89	00
91	12/10/19	90	00
92	12/10/19	91	00
93	12/10/19	92	00
94	12/10/19	93	00
95	12/10/19	94	00
96	12/10/19	95	00
97	12/10/19	96	00
98	12/10/19	97	00
99	12/10/19	98	00
100	12/10/19	99	00
101	12/10/19	100	00