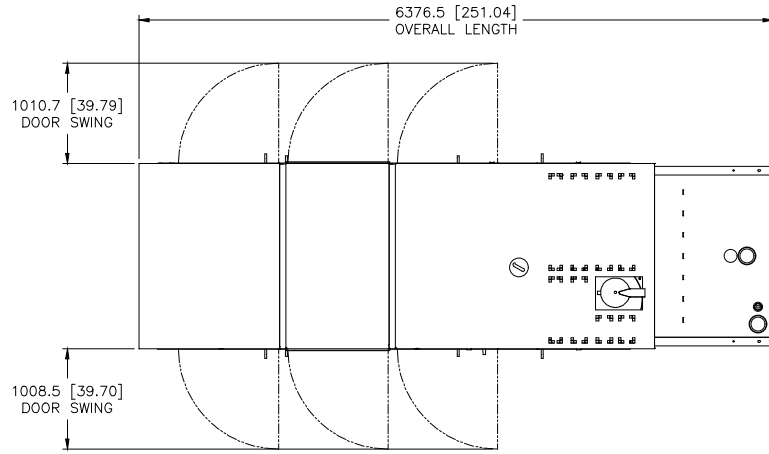
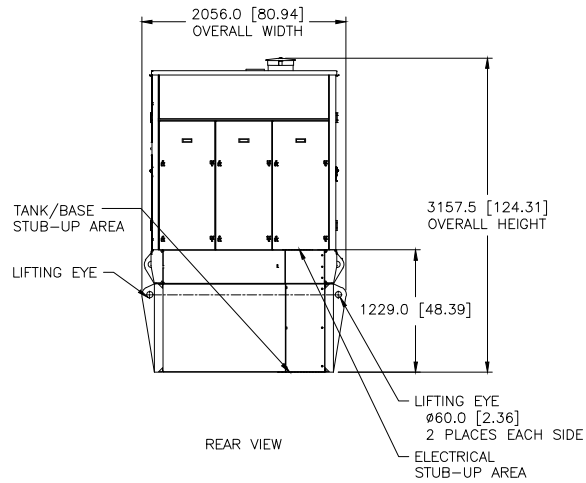


QTY	ENGINE CONNECTIONS	SIZE	SHEET
1	COOLANT DRAIN	ø19.1 [0.75] ID	2
1	OIL DRAIN	ø25.4 [1.00] ID	2

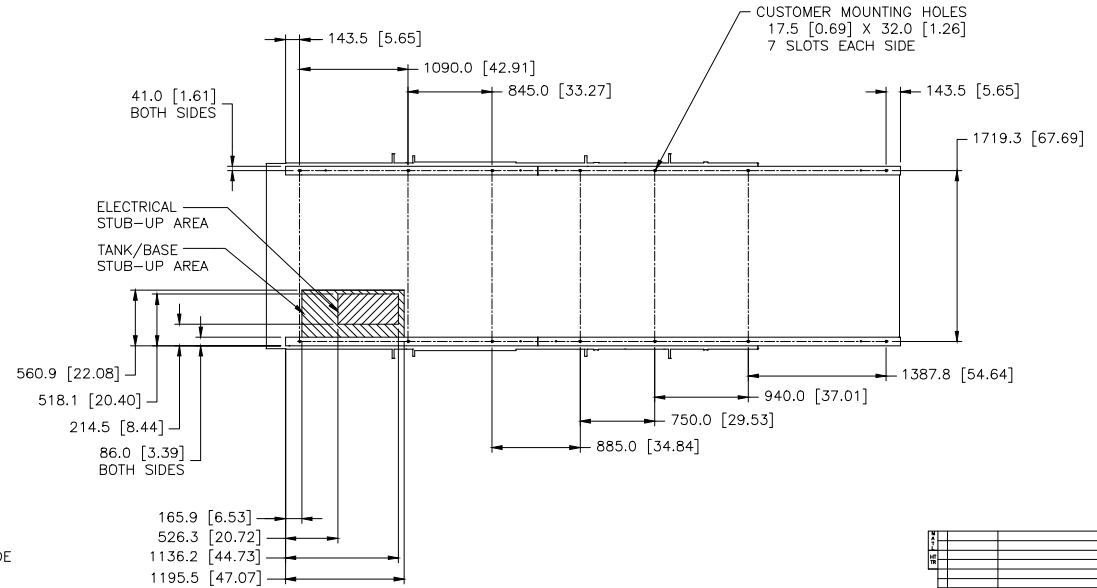
QTY	POSSIBLE TANK CONNECTIONS	SIZE	SHEET
1	BASIN TANK EMERGENCY VENT	5" NPT THD	3
2	CUSTOMER CONNECTIONS	2" NPT THD	3
1	FUEL FILLER	4" NPT THD	3
1	MAIN TANK EMERGENCY VENT	5" NPT THD	3
1	SPARE PORT	2" NPT THD	3



TOP VIEW



REAR VIEW



FOOTPRINT (DIMENSIONED OUTLINE VIEW FROM ABOVE)

MODEL	TYPE	PRICING AR	ENCLOSURE	TANK
C15	Y	LS-1441 CHG 02	LS-1581 CHG 00	LS-1435 CHG 03
			LS-1582 CHG 00	
			LS-1583 CHG 00	
			LS-1443 CHG 02	
			LS-1584 CHG 00	

PACKAGE LIFTED IN 4 PLACES

PACKAGE SHOWN WITH MORE DETAIL ON SHEET 2

1				
2				
3				
4				
5				
6				
7				
8				
9				
10				
11				
12				
13				
14				
15				
16				
17				
18				
19				
20				
21				
22				
23				
24				
25				
26				
27				
28				
29				
30				
31				
32				
33				
34				
35				
36				
37				
38				
39				
40				
41				
42				
43				
44				
45				
46				
47				
48				
49				
50				
51				
52				
53				
54				
55				
56				
57				
58				
59				
60				
61				
62				
63				
64				
65				
66				
67				
68				
69				
70				
71				
72				
73				
74				
75				
76				
77				
78				
79				
80				
81				
82				
83				
84				
85				
86				
87				
88				
89				
90				
91				
92				
93				
94				
95				
96				
97				
98				
99				
100				

1129888 IDENTIFY

112734 DRAWING-AUTOCAD

1101838888 WORKBOOKS

11600136 NONIDENTICALITY

11000136 INTERPRETATION

11000136 INTERP & TOI

DATE: 11/20/00

BY: M.J. SWIFT

APP'D: M.J. SWIFT

DATE: 11/20/00

RECORDS: 1X

INCLUDE ORIGINAL DRAWING

DATE: 11/20/00

PROJECT: 158

SHEET 1 OF 3

00 24SEP19

001 001

CATERPILLAR INC.

INSTALLATION COMPOSITE

C15 ENCL SA LV2 TANK1900CAL

588-7454