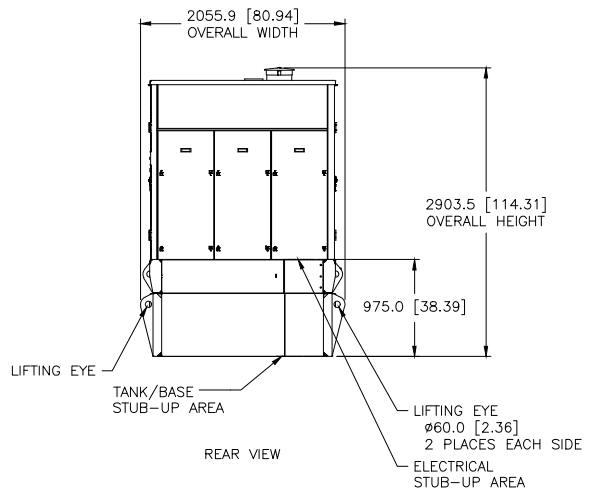


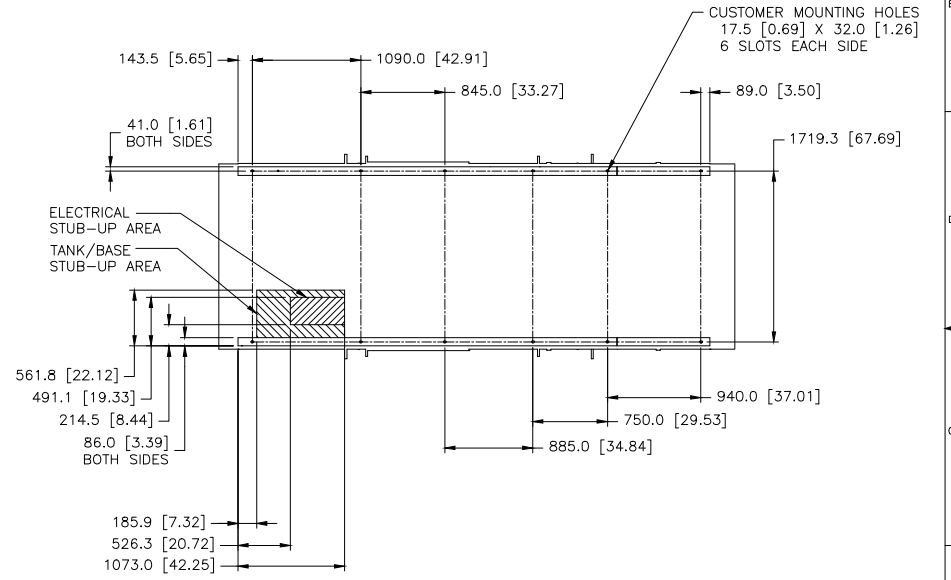
TOP VIEW



REAR VIEW

QTY	ENGINE CONNECTIONS	SIZE	SHEET
1	COOLANT DRAIN	ø19.1 [0.75] ID	2
1	OIL DRAIN	ø25.4 [1.00] ID	2

QTY	POSSIBLE TANK CONNECTIONS	SIZE	SHEET
1	BASIN TANK EMERGENCY VENT	5" NPT THD	3
2	CUSTOMER CONNECTIONS	2" NPT THD	3
1	FUEL FILLER	4" NPT THD	3
1	MAIN TANK EMERGENCY VENT	5" NPT THD	3
1	SPARE PORT	2" NPT THD	3



FOOTPRINT
(DIMENSIONED OUTLINE VIEW FROM ABOVE)

MODEL	TYPE	PRICING AR	ENCLOSURE	TANK
C15	Y	LS-1441 CHG 02 LS-1443 CHG 02	LS-1581 CHG 00	LS-1466 CHG 01
			LS-1582 CHG 00	
			LS-1583 CHG 00	
			LS-1584 CHG 00	

PACKAGE LIFTED IN 4 PLACES
PACKAGE SHOWN WITH MORE DETAIL ON SHEET 2

112988 IDENTIFY

112733 DRAWING-AUTOCAD

110135 DRAWING WORKBOOKS

116013 GEOMETRICITY

110011 INTERPRETATION

112001 INTER & TOI

DATE: 11/20/00

BY: M.J. SWIFT

APP: N.P. MOUNTJOY

DES: E.T. BERNI

RECORDS: IX

PROJECT: 112988

SHEET 1 OF 3

DATE: 00 25SEP19

CATERPILLAR INC.

INSTALLATION COMPOSITE

C15ENCL SA LV2 TANK B60CAL

588-7456