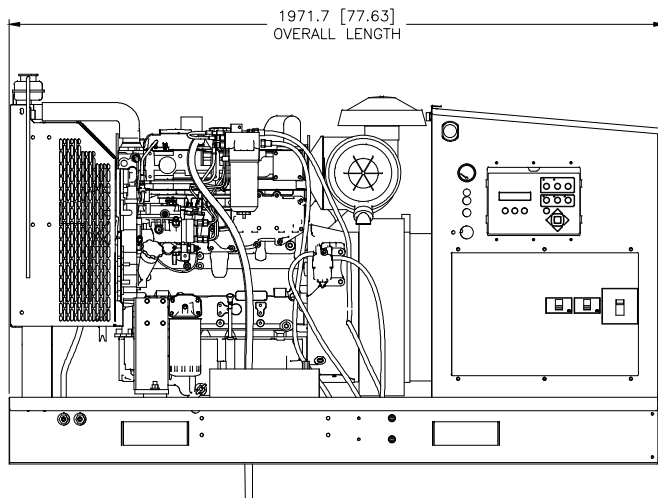
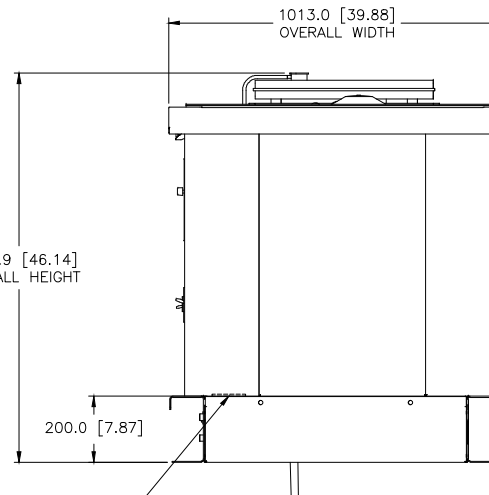


QTY	ENGINE CONNECTIONS	SIZE	SHEET
1	COOLANT DRAIN	1/4-18 THD	2
1	EXCESS FUEL RETURN	1/4-18 THD	2
1	EXHAUST	Ø63.5 [Ø2.50]	2
1	FUEL INLET	1/4-18 THD	2
1	OIL DRAIN	1/4-18 THD	2

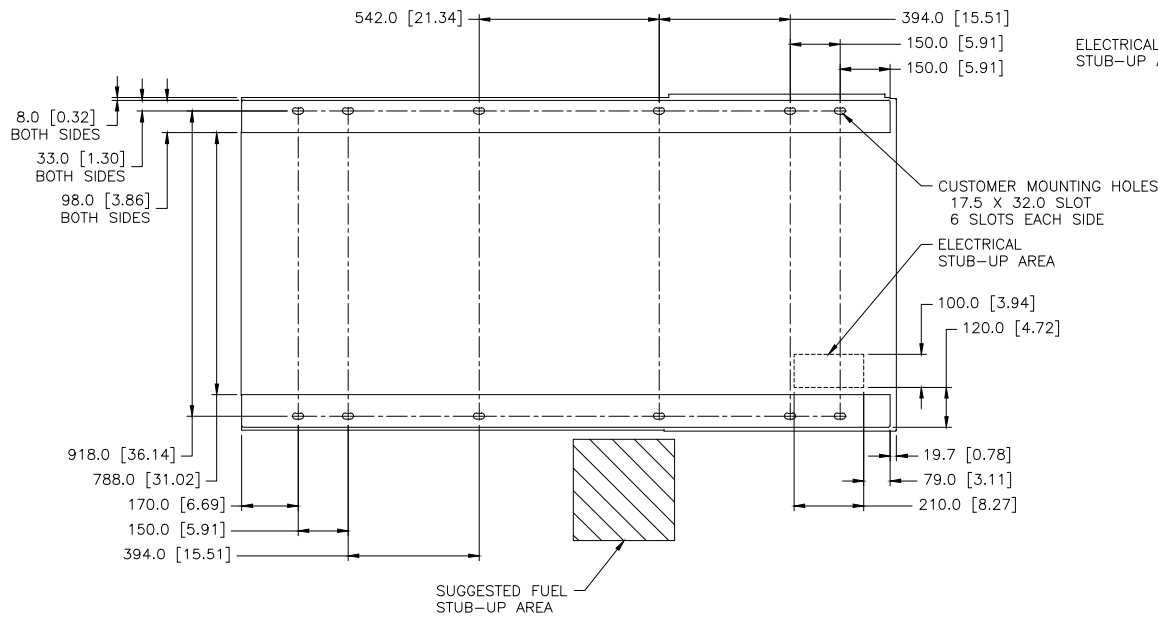


LEFT SIDE VIEW



ELECTRICAL
STUB-UP AREA

REAR VIEW



FOOTPRINT
(DIMENSIONED OUTLINE VIEW FROM ABOVE)

MODEL	TYPE	PRICING AR	RAIL GROUP
C4.4	Y	LS-2430 CHG 04	LS-2419 CHG 02
		LS-2431 CHG 04	
		LS-2698 CHG 02	
		LS-2699 CHG 03	

DATE	
REV.	
DESCRIPTION	
REVISIONS	
1	ISSUE FOR PRODUCTION
DESIGNED BY	J.O. SCHADLE
CHECKED BY	SWIFT
APPROVED BY	MOUNJOY
DATE	1981
SCALE	1:1
PROJECT	RECORDS
CATERPILLAR INC.	
483-7603	