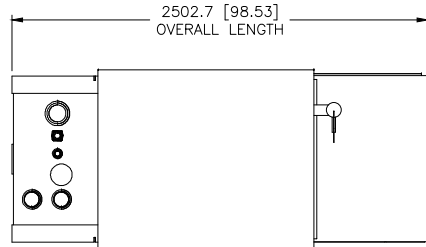
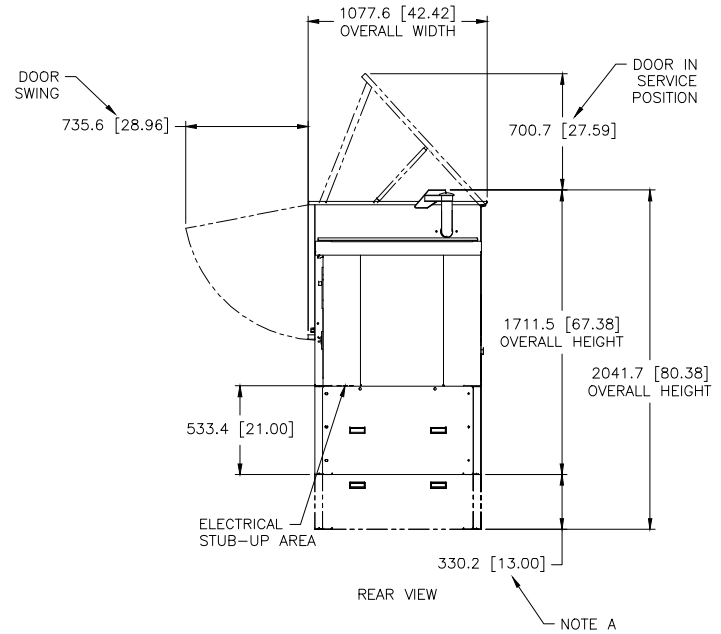


QTY	ENGINE CONNECTIONS	SIZE	SHEET
1	COOLANT DRAIN	1/4-18 THD	2
1	EXHAUST	Ø63.3 [Ø2.49]	2
1	OIL DRAIN	1/4-18 THD	2

QTY	POSSIBLE TANK CONNECTIONS	SIZE	SHEET
1	BASIN TANK EMERGENCY VENT	3" NPT THD	3
1	FUEL FILLER	4" NPT THD	3
1	MAIN TANK EMERGENCY VENT	3" NPT THD	3
1	NORMAL VENT	2" NPT THD	3
1	RUPTURE BASIN ALARM	1" NPT THD	3
2	SPARE PORT	1" NPT THD	3

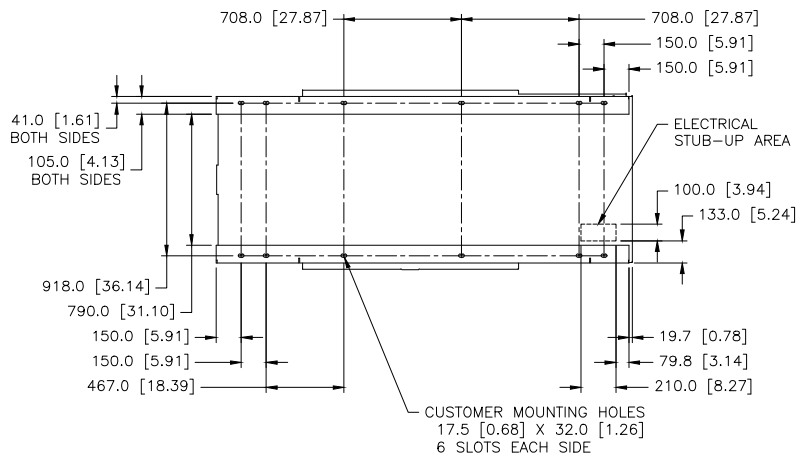


TOP VIEW



REAR VIEW

NOTE A



FOOTPRINT
(DIMENSIONED OUTLINE VIEW FROM ABOVE)

CUSTOMER MOUNTING HOLES
17.5 [0.68] X 32.0 [1.26]
6 SLOTS EACH SIDE

MODEL	TYPE	PRICING AR	ENCLOSURES	TANK GROUP	TANK CAPACITY
C4.4	Y	LS-2430 CHG 04	LS-2425 CHG 02	LS-2410 CHG 02	137 US GAL
		LS-2431 CHG 04	LS-2426 CHG 02		
		LS-2698 CHG 02	LS-2433 CHG 01	LS-2411 CHG 03	255 US GAL
		LS-2699 CHG 03	LS-2434 CHG 01		

NOTE A: DIM FROM THE BOTTOM OF THE 137 US GAL TANK TO THE BOTTOM OF THE 255 US GAL TANK

DESIGNED BY	
DRAWN BY	
CHECKED BY	
APPROVED BY	
DATE	
SCALE	1:10
SHEET NO.	1 OF 3
CATERPILLAR INC.	
INSTALLATION - COMPOSITE	
C4.4 ENCL. W/ INTEGRATED TANK	
483-7627	