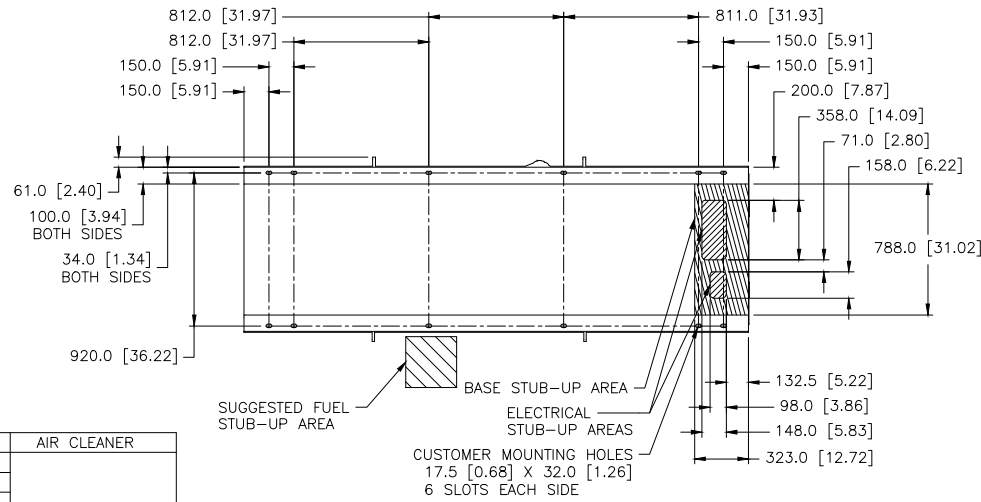
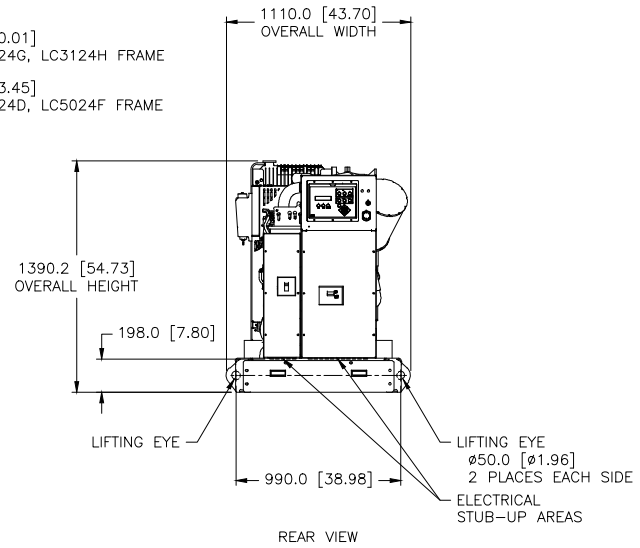
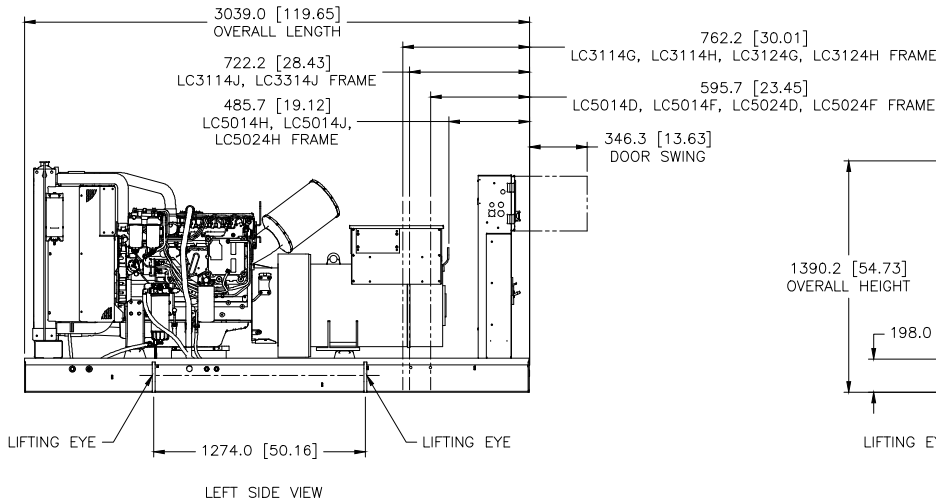


QTY	ENGINE CONNECTIONS	SIZE	SHEET
1	COOLANT DRAIN	13/16-16 THD	2
1	EXCESS FUEL RETURN	1/2-14 NPTF	2
1	EXHAUST	SEE DETAIL A	2
1	FUEL INLET	1/2-14 NPTF	2
1	FUMES DISPOSAL TUBE	Ø25.4 [Ø1.00] OD	2
1	OIL DRAIN	3/4-16 THD	2



MODEL	TYPE	PRICING AR	AIR CLEANER
C7.1	Y	LS-2096 CHG 03	LS-1799 CHG 01
		LS-2095 CHG 03	
		LS-2608 CHG 03	
		LS-2611 CHG 04	
		LS-2609 CHG 03	
		LS-2612 CHG 04	
		LS-2610 CHG 03	
		LS-2613 CHG 04	

PACKAGE LIFTED IN 4 PLACES
PACKAGE SHOWN WITH MORE DETAIL ON SHEET 2

17998 IDENT

174743 DRAWING - AUTOCAD

160196 WIRING MARKINGS

160197 SCHEMATIC DETAIL

160012 INTERPRETATION

160011 INPR & TOI

DATE: 04/27/18

SCALE: 1:10

DATE: 04/27/18

CATERPILLAR INC.

INSULATION - COMPOSITE

OPEN W/O TANK

486-7757