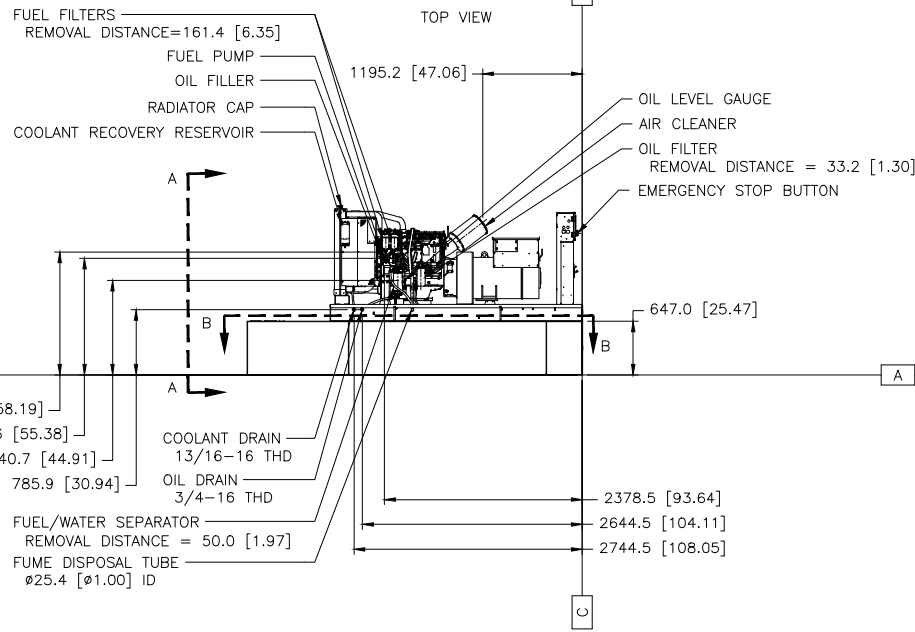
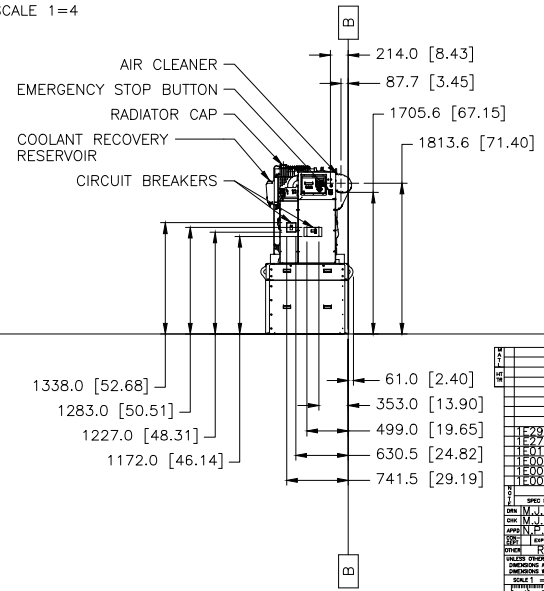


VIEW A-A



LEFT SIDE VIEW



REAR VIEW

REV	DATE	BY	CHKD	DESCRIPTION
1				ISSUED FOR PRODUCTION
2				REVISION
3				REVISION
4				REVISION
5				REVISION
6				REVISION
7				REVISION
8				REVISION
9				REVISION
10				REVISION
11				REVISION
12				REVISION
13				REVISION
14				REVISION
15				REVISION
16				REVISION
17				REVISION
18				REVISION
19				REVISION
20				REVISION

SPEC NO. NAME
 DESIGNED BY M.J. SWIFT
 DRAWN BY J. SWIFT
 CHECKED BY E. MOUNTJOY
 DATE 1/1/81
 TITLE 486-7761
 PART NO. 486-7761
 RECORDS X
 (PLEASE PRINT) (PLEASE PRINT)
 DRAWING NO. 486-7761-1
 SHEET NO. 1 OF 3
 SCALE 1 = 20
 DATE 27 MAY 1981
CATERPILLAR INC.
 1400 N. LAKE AVENUE, PEORIA, ILL. 61629
 INSULATION - COMPOSITE
 C-1 OPEN W/ 7/32" GAL TANK
 486-7761-1-1001 W008