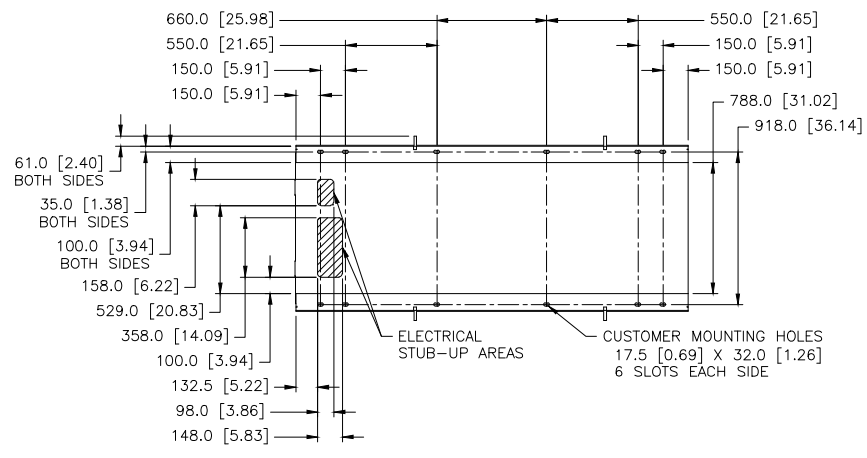
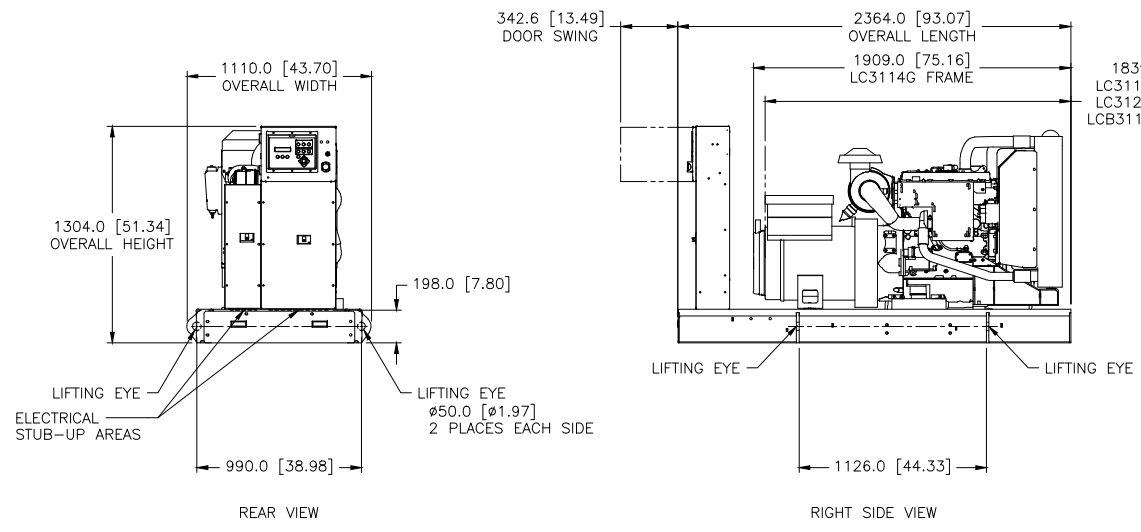


QTY	ENGINE CONNECTIONS	SIZE	SHEET
1	COOLANT DRAIN	13/16-16 THD	3
1	EXCESS FUEL RETURN	1/2-14 NPTF	3
1	EXHAUST	Ø63.5 [Ø2.50] O.D.	2
1	FUEL INLET	1/2-14 NPTF	3
1	FUME DISPOSAL HOSE	Ø19.5 [0.77] I.D.	3
1	OIL DRAIN	13/16-16 THD	3



MODEL	TYPE	PRICING AR
C4.4	Y	LS-2621 CHG 03
		LS-2622 CHG 03
		LS-2624 CHG 04
		LS-2625 CHG 04
		LS-2627 CHG 04
		LS-2628 CHG 04
		LS-2630 CHG 04
		LS-2631 CHG 04
		LS-2633 CHG 04
		LS-2634 CHG 04

FOOTPRINT  
(DIMENSIONED OUTLINE VIEW FROM ABOVE)  
(RIGHT SIDE ORIENTATION)

PACKAGE LIFTED IN 4 PLACES ON BASE  
PACKAGE SHOWN WITH MORE DETAIL ON  
SHEETS 2 & 3

DATE			
REV			
1E2968HIDENI			
1E29733 DRAWING-AUTOCAD			
1E0018HIDENI MARKINGS			
1E0018HIDENI IDENT			
1E0012A INTERPRETATION			
1E00011 INPR & TOL			
SPR NO.			
DESIGNER	J.O. SCHAIDLE		
CHECKED	SWIFT		
APPROVED	MOUNJOY		
DATE	1/21/88		
PROJECT	RECORDS		
SCALE	1:10		
SHEET	1 OF 3		
<b>CATERPILLAR INC.</b>			
INSTALLATION - COMPOSITE			
S4.4 OPEN W/2 LUB. TANK			
548-8607			