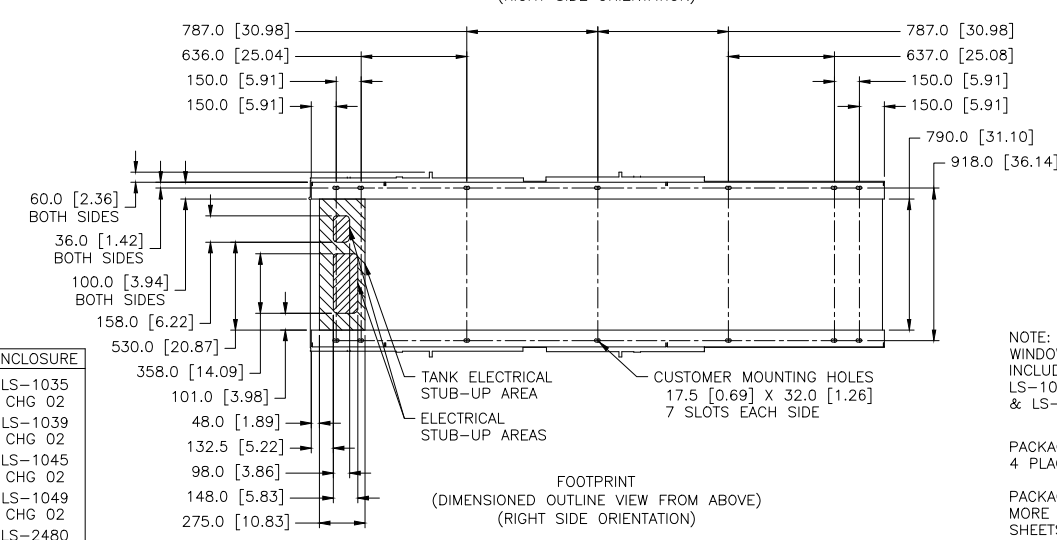
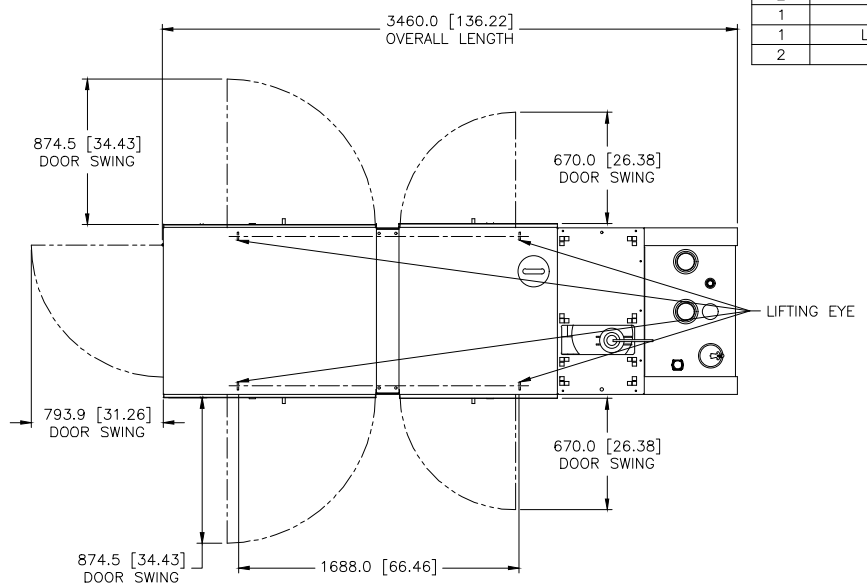
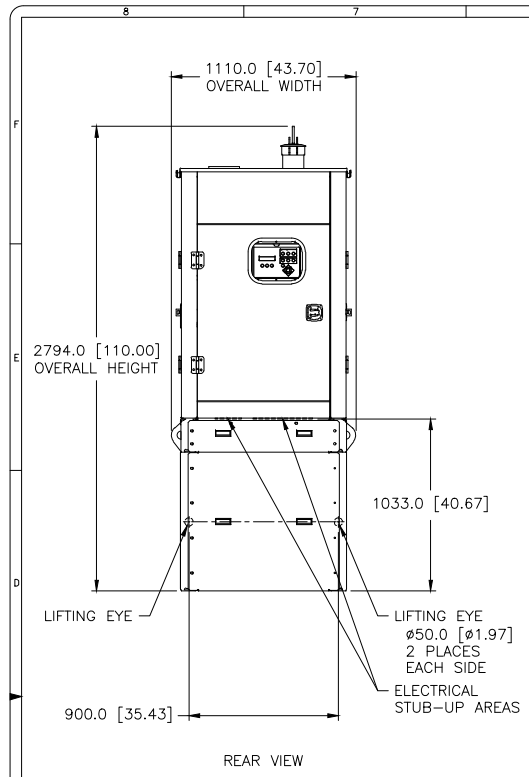


QTY	ENGINE CONNECTIONS	SIZE	SHEET
1	COOLANT DRAIN	13/16-16 THD	2
1	FUME DISPOSAL HOSE	ø19.5 [0.77] I.D.	2
1	OIL DRAIN	13/16-16 THD	2

QTY	POSSIBLE TANK CONNECTIONS	SIZE	SHEET
2	EMERGENCY VENT	3" NPT THD	3
1	FUEL FILLER	4" NPT THD	3
1	LEAKAGE DETECTOR	1" NPT THD	3
2	SPARE PORT	1" NPT THD	3



MODEL	TYPE	PRICING AR	TANK BASE	ENCLOSURE
C4.4	Y	LS-2621 CHG 03	LS-2645 CHG 00	LS-1035 CHG 02
		LS-2622 CHG 03		LS-1039 CHG 02
		LS-2624 CHG 04		LS-1045 CHG 02
		LS-2625 CHG 04		LS-1049 CHG 02
		LS-2627 CHG 04		LS-2480 CHG 01
		LS-2628 CHG 04		
		LS-2630 CHG 04		
		LS-2631 CHG 04		
		LS-2633 CHG 04		
		LS-2634 CHG 04		

NOTE:
WINDOW IS NOT INCLUDED ON LS-1035, LS-1045, & LS-2480

PACKAGE LIFTED IN 4 PLACES ON TANK

PACKAGE SHOWN WITH MORE DETAIL ON SHEETS 2 & 3

REVISIONS

NO.	DATE	DESCRIPTION

1E2968 IDENT
1E2733 DRAWING-AUTOCAD
1E2968 BRAND MARKINGS
1E0012A IDENTIFICATION
1E0012A INTERPRETATION
1E0011 INPR & TOL
1) SPEC NO. NAME
DESIGNER J. O. SCHADLE
REV. BY J. J. SWIFT
APP'N P. MOUNTJOY
DATE 1/11/81
CHECKED J. J. SWIFT
RECORDS - X
DRAWING MADE BY J. J. SWIFT
APPROVED BY J. J. SWIFT
SCALE 1" = 10"
SHEET 1 OF 3
CATERPILLAR INC.
INSTALLATION-COMPOSITE
C4.4-SEA-ENC-SUBTANK-3040
548-8616