

Weather Protective and Sound Attenuated Enclosures

Post-Free Twin Doors
Provide Large, Unobstructed Service Access

Steel, Partial Pin Hinges with Nylon Spacers
Durable, Corrosion-Free, Removable Doors

Two-Point Door Latch System
Ensures Proper Seal Preventing Water Ingress and Sound Egress

Dense, Closed-Cell Foam Insulation with Reflective Silver Mylar Layer
Improved Sound Attenuation Without Damaging Effects From Radiant Heat Exposure

Lockable Turn and Tuck Stainless Steel Latch Handle
Corrosion-Free, Non-Protruding and Secure

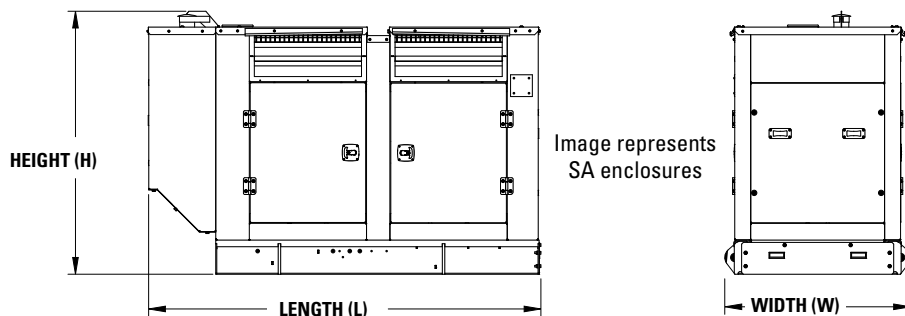


FEATURES:

BENEFITS:

Dimensional matching of acoustic and non-acoustic enclosure designs	Reduces variation in fuel tank pricing, inventory; removes need to change out fuel tank or retrofit
Standardized enclosure components Ease of retrofit or upgrade to acoustic system; reduced parts inventory, costs	
Enclosure mounted directly to unit baseframe	Simplified delivery and installation with enclosure and unit in single component design
Electrostatically painted panels	Maximum protection from weather elements
12 or 14 gauge steel based on kW rating	Maximum sound attenuation, protection, and product life
Aluminum enclosure optional	Prevents corrosion in coastal regions
Stainless steel door latch and hinge hardware	Provides extended component life; maximum protection against rusting
Stainless steel door latch strike plate	Maximum protection against enclosure paint damage from door latch pin
Door hinges use slip-pin design	Provides quick door removal for full-unit access
Polyethylene gasketing under door hinges	Additional protection for enclosure paint finish
Keyed door latches	Protection for equipment and personnel
Large removable access doors	Ease of maintenance
Location of access doors	Provides improved access to MLCB on all units
Door gasketing	Improved sealing quality from sound and weather elements
Weather-resistant aluminum roof design with drip ledge	Provides optimum moisture/rain runoff from unit
Cabled and gasketed radiator access cover	Provides improved radiator access and additional protection from weather elements
Acoustic roof panels manufactured with mechanical retention pins	Increased acoustic foam retention within unit
Polyethylene washers under all panel fasteners	Additional paint finish protection from stainless steel fastener
Internally fastened enclosure panels (where possible)	Provides streamlined unit appearance
Additional roof panel stiffener	Added overall compartment rigidity and acoustic foam panel retention
Self-enclosed exhaust system	Provides safe unit operation, no enclosure hot spots, streamlined unit appearance
Discharge air duct has been designed with minimal fasteners	Ease of removal and access to exhaust system
Stainless steel exhaust band clamps	Provides extended component life; ensures proper exhaust seal
Drain holes within air ducts	Enables maximum water run-off
Rodent-proof, tamper proof enclosure design	Safety and security for personnel and equipment
Baseframe lifting lugs	Ease of unit relocation, prevents compartment damage from lifting straps
150 mph wind kit options	Meets locally enforced wind requirements

Enclosure Dimensions



14.2 L	Model	Length in (mm)	Width in (mm)	Height in (mm)	Weight Steel lbs (kg)	Weight Aluminum lbs (kg)	Sound Level (dBA)
STANDARD ENCLOSURE	DG175 GC	153.89 (3909)	52.73 (1339.3)	69.67 (1769.6)	6577 (2983)	6035 (2738)	79.9
	DG200 GC	153.89 (3909)	52.73 (1339.3)	69.67 (1769.6)	6577 (2983)	6303 (2738)	80.5
	DG230 GC	174.7 (4437.4)	52.98 (1345.7)	77.8 (1976.1)	7538 (3420)	6765 (3069)	81.3
	DG250 GC	174.7 (4437.4)	52.98 (1345.7)	77.8 (1976.1)	7538 (3420)	6765 (3069)	82.9
	DG275 GC	174.7 (4437)	57.5 (1460)	77.8 (1976.1)	7836 (3562)	7042 (3201)	83.2
	DG300 GC	174.7 (4437)	57.5 (1460)	77.8 (1976.1)	7836 (3562)	7042 (3201)	84.6
LEVEL 1 ACOUSTIC ENCLOSURE	DG175 GC	180.11 (4574.7)	52.73 (1339.3)	69.67 (1769.6)	6990 (3171)	6176 (2801)	75.7
	DG200 GC	180.11 (4574.7)	52.73 (1339.3)	69.67 (1769.6)	6990 (3171)	6176 (2801)	75.9
	DG230 GC	200.19 (5084.7)	57.49 (1460.4)	77.80 (1976.1)	8094 (3672)	6955 (3155)	76.4
	DG250 GC	200.19 (5084.7)	57.49 (1460.4)	77.80 (1976.1)	8094 (3672)	6955 (3155)	77.8
	DG275 GC	200.19 (5084.7)	57.49 (1460.4)	77.80 (1976.1)	8298 (3772)	7242 (3292)	77.7
	DG300 GC	200.19 (5084.7)	57.49 (1460.4)	77.80 (1976.1)	8298 (3772)	7242 (3292)	78.6
LEVEL 2 ACOUSTIC ENCLOSURE	DG175 GC	154.45 (3922.9)	53.96 (1370.6)	93.40 (2372.3)	7236 (3282)	6259 (2839)	70.8
	DG200 GC	154.45 (3922.9)	53.96 (1370.6)	93.40 (2372.3)	7236 (3282)	6259 (2839)	71.2
	DG230 GC	180.65 (4588.4)	57.49 (1460.4)	107.3 (2725.4)	8656 (3927)	7156 (3246)	71.6
	DG250 GC	180.65 (4588.4)	57.49 (1460.4)	107.3 (2725.4)	8656 (3927)	7156 (3246)	72.3
	DG275 GC	180.6 (4588)	57.5 (1460)	107.3 (2725)	8870 (4032)	7487 (3403)	74.4
	DG300 GC	180.6 (4588)	57.5 (1460)	107.3 (2725)	8870 (4032)	7487 (3403)	75.4
LEVEL 3 ACOUSTIC ENCLOSURE	DG175 GC	207.2 (5264)	63.7 (1618)	128.90 (3275)	10602 (4809)	9638 (4372)	70.1
	DG200 GC	207.2 (5264)	63.7 (1618)	128.90 (3275)	10602 (4809)	9638 (4372)	70.1
	DG230 GC	207.2 (5264)	63.7 (1618)	128.90 (3275)	10990 (4984)	9976 (4525)	70.3
	DG250 GC	207.2 (5264)	63.7 (1618)	128.90 (3275)	10990 (4984)	9976 (4525)	70.3
	DG275 GC	207.2 (5264)	63.7 (1618)	128.90 (3275)	11080 (5025)	10118 (4589)	70.4
	DG300 GC	207.2 (5264)	63.7 (1618)	128.90 (3275)	11080 (5025)	10118 (4589)	70.4

21.9 L	Model	Length in (mm)	Width in (mm)	Height in (mm)	Weight Steel lbs (kg)	Weight Aluminum lbs (kg)	Sound Level (dBA)
STANDARD ENCLOSURE	DG350 GC	207.4 (5268)	70 (1800)	80 (2032)	10463 (4746)	9376 (4253)	86.5
	DG400 GC	207.4 (5268)	71 (1803)	80 (2032)	10428 (4730)	9298 (4717)	86.5
	DG450 GC	207.4 (5268)	71 (1803)	80 (2032)	10463 (4746)	9376 (4253)	87
LEVEL 1 ACOUSTIC ENCLOSURE	DG350 GC	247.5 (6285)	70 (1800)	80 (2032)	11470 (5203)	9808 (4449)	82.1
	DG400 GC	247.5 (6285)	71 (1803)	80 (2032)	11211 (5085)	9720 (4409)	82.1
	DG450 GC	247.5 (6285)	71 (1803)	80 (2032)	11470 (5203)	9808 (4449)	82
LEVEL 2 ACOUSTIC ENCLOSURE	DG350 GC	207.4 (5268)	70 (1800)	144 (2899)	11808 (5356)	9954 (4515)	76.2
	DG400 GC	207.4 (5268)	71 (1803)	114 (2899)	11759 (5333)	9951 (4513)	76.2
	DG450 GC	207.4 (5268)	71 (1803)	114 (2899)	11808 (5356)	9954 (4515)	76
LEVEL 3 ACOUSTIC ENCLOSURE	DG350 GC	232 (5892)	76.9 (1954)	129.2 (3281)	16997 (7710)	14447 (6553)	71.2
	DG400 GC	232 (5892)	76.9 (1954)	129.2 (3281)	16997 (7710)	14447 (6553)	71.3
	DG450 GC	232 (5892)	76.9 (1954)	129.2 (3281)	16997 (7710)	14447 (6553)	71.3

*All measurements are approximate and for estimation purposes only. Sound levels measured at 23 ft (7 m) and do not account for ambient site conditions.

For specific Sales Models information view the Marketing Spec Sheets (MSS) below:

DG175 GC – LEHE1588	DG230 GC – LEHE1590	DG275 GC – LEHE1592	DG350 GC – LEHE1594	DG450 GC – LEHE1596
DG200 GC – LEHE1589	DG250 GC – LEHE1591	DG300 GC – LEHE1593	DG400 GC – LEHE1595	

LET'S DO THE WORK.™

cat.com/electricpower

© 2020 Caterpillar.

All Rights Reserved. CAT, CATERPILLAR, LET'S DO THE WORK, their respective logos, "Caterpillar Corporate Yellow", the "Power Edge" and Cat "Modern Hex" trade dress as well as corporate and product identity used herein, are trademarks of Caterpillar and may not be used without permission

LEHE1712-02 (9-20)

