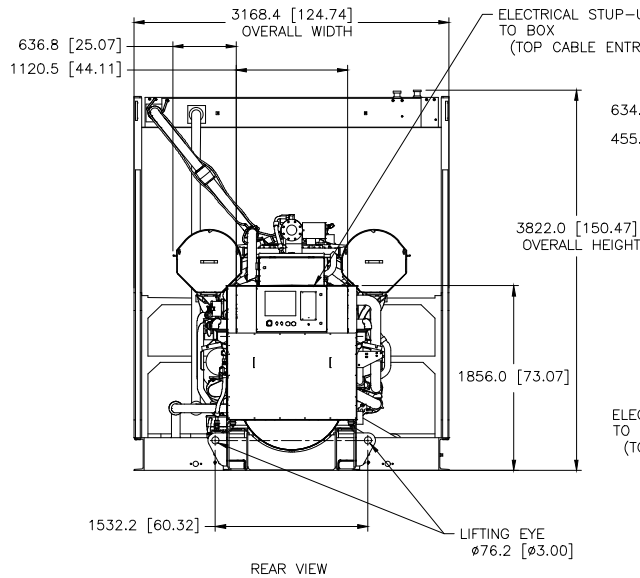
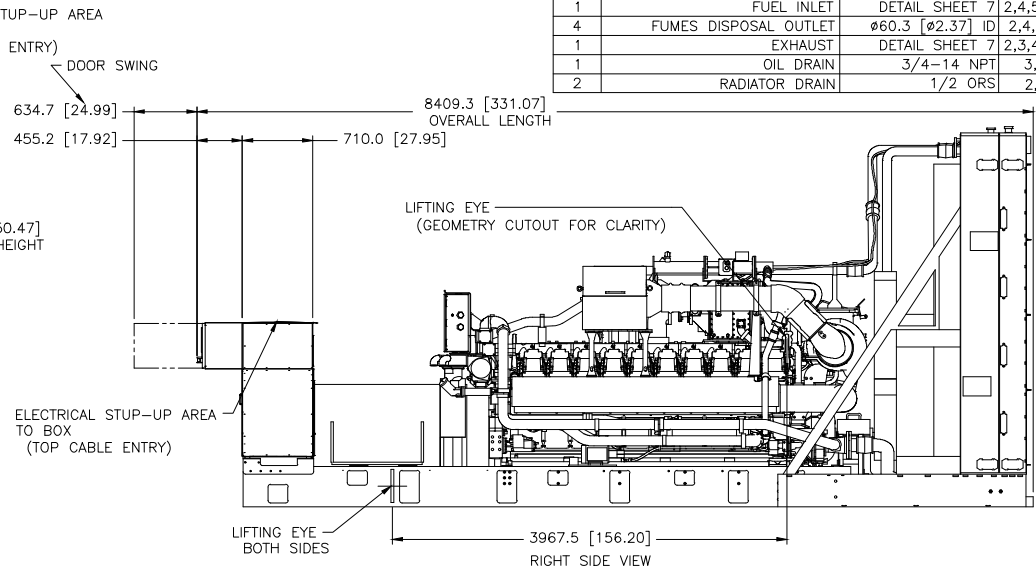


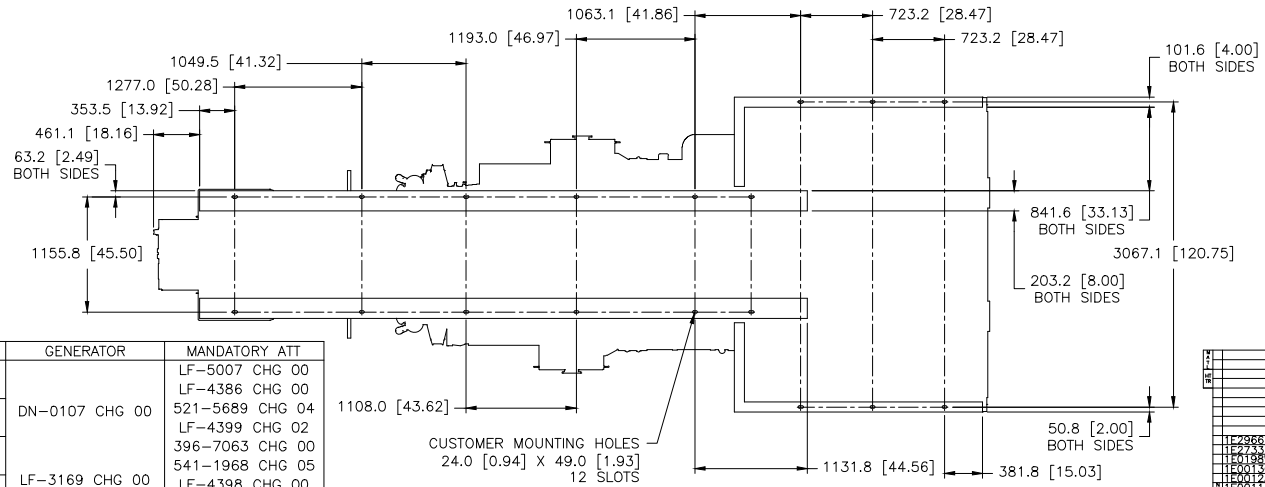
QTY	CONNECTION	SIZE	SHEETS
1	FUEL INLET	7	2,4,5,6,7
4	FUMES DISPOSAL OUTLET	ø60.3 [ø2.37] ID	2,4,5,6,
1	EXHAUST		DETAIL SHEET 7 2,3,4,6,7
1	OIL DRAIN	3/4-14 NPT	3,4
2	RADIATOR DRAIN	1/2 ORS	2,3



REAR VIEW



RIGHT SIDE VIEW



FOOTPRINT
(DIMENSIONED OUTLINE VIEW FROM ABOVE)
(RIGHT SIDE ORIENTATION)

MODEL	TYPE	ENGINE AR	GENERATOR	MANDATORY ATT
G3520	-	LF-4380 CHG 02	DN-0107 CHG 00	LF-5007 CHG 00
				LF-4386 CHG 00
				521-5689 CHG 04
		LF-4381 CHG 03	LF-3169 CHG 00	LF-4399 CHG 02
				396-7063 CHG 00
				541-1968 CHG 05
		LF-4384 CHG 03	LF-3170 CHG 00	LF-4398 CHG 00
				252-7371 CHG 05
				311-7115 CHG 01
		LF-4566 CHG 02	LF-3172 CHG 01	LF-3564 CHG 00
				LF-2844 CHG 02
				LF-2850 CHG 02
LF-4567 CHG 02	LF-3172 CHG 01	491-5899 CHG 02		
		491-5896 CHG 03		
		491-5856 CHG 03		
LF-4995 CHG 04		375-2296 CHG 01		
LF-4996 CHG 04				

PACKAGE LIFTED IN 3 PLACES
PACKAGE SHOWN WITH MORE DETAIL ON FOLLOWING SHEETS

1C2968BIDENT
1E2735 DRAWING AUTOCAD
1E0189 SWIRAN MARKING
1E00136 CONFIDENTIALITY
1E00124 INFLUENCE OPERATION
1E0011 INTR & IV
REV NO.
DESIGNED BY: NELSON
CHK: M.J. SWIFT
APP: N.P. MOUNTAIN LOY
DATE: 01/20/01
RECORDS: IX
DATE OF ORIGINAL ISSUE: 01/20/01
DATE OF THIS ISSUE: 01/20/01
SHEET 1 OF 11
01/20/01 Y20
PATERSON INC
INSTALLATION ENGINEER
G3520 60 HZ 184X W/ RAD
576-6812