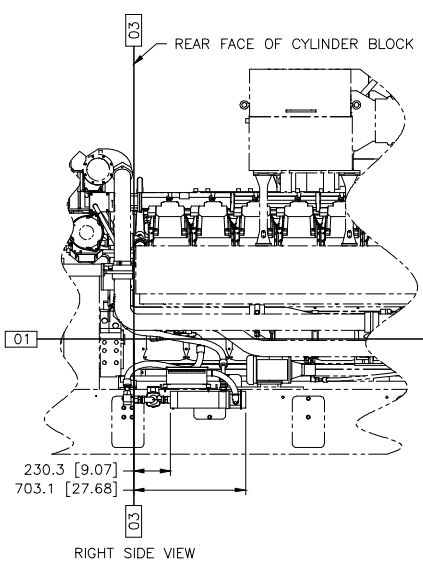


LEFT SIDE VIEW

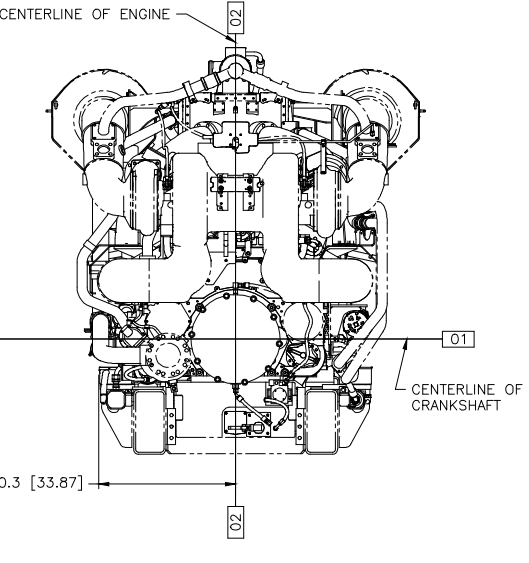
REAR VIEW

RIGHT SIDE VIEW

OPTIONAL CONTROL BOX MOUNTING LOCATIONS



RIGHT SIDE VIEW



FRONT VIEW

OPTIONAL DUAL JACKET WATER HEATER MOUNTING LOCATIONS

MODEL	TYPE	PRICING AR
G3520	-	LF-4389 CHG 01
		LF-4390 CHG 01
		LF-4391 CHG 01

11296881IDENT
 112735 DRAWING - AUTOCAD
 110188 WIRING DIAGRAMS
 1100136 CONFIDENTIALITY
 1100136 CONFIDENTIALITY
 1100136 CONFIDENTIALITY
 1100136 CONFIDENTIALITY

DATE: 01-10-01
 DESIGNED BY: J. NELSON
 CHECKED BY: M. J. SWIFT
 APPROVED BY: J. M. WAINWRIGHT
 DRAWN BY: J. M. WAINWRIGHT
 REVISIONS: 01
 01 04AUG20

CATERPILLAR INC.
 INSTALLATION ENGINE
 G3520 60HZ TB0X W/ RAD
 579-6101